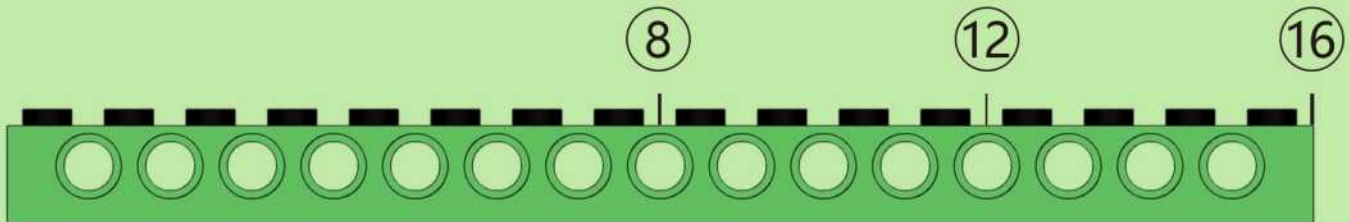
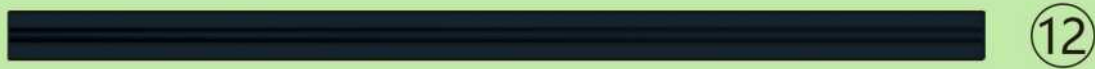
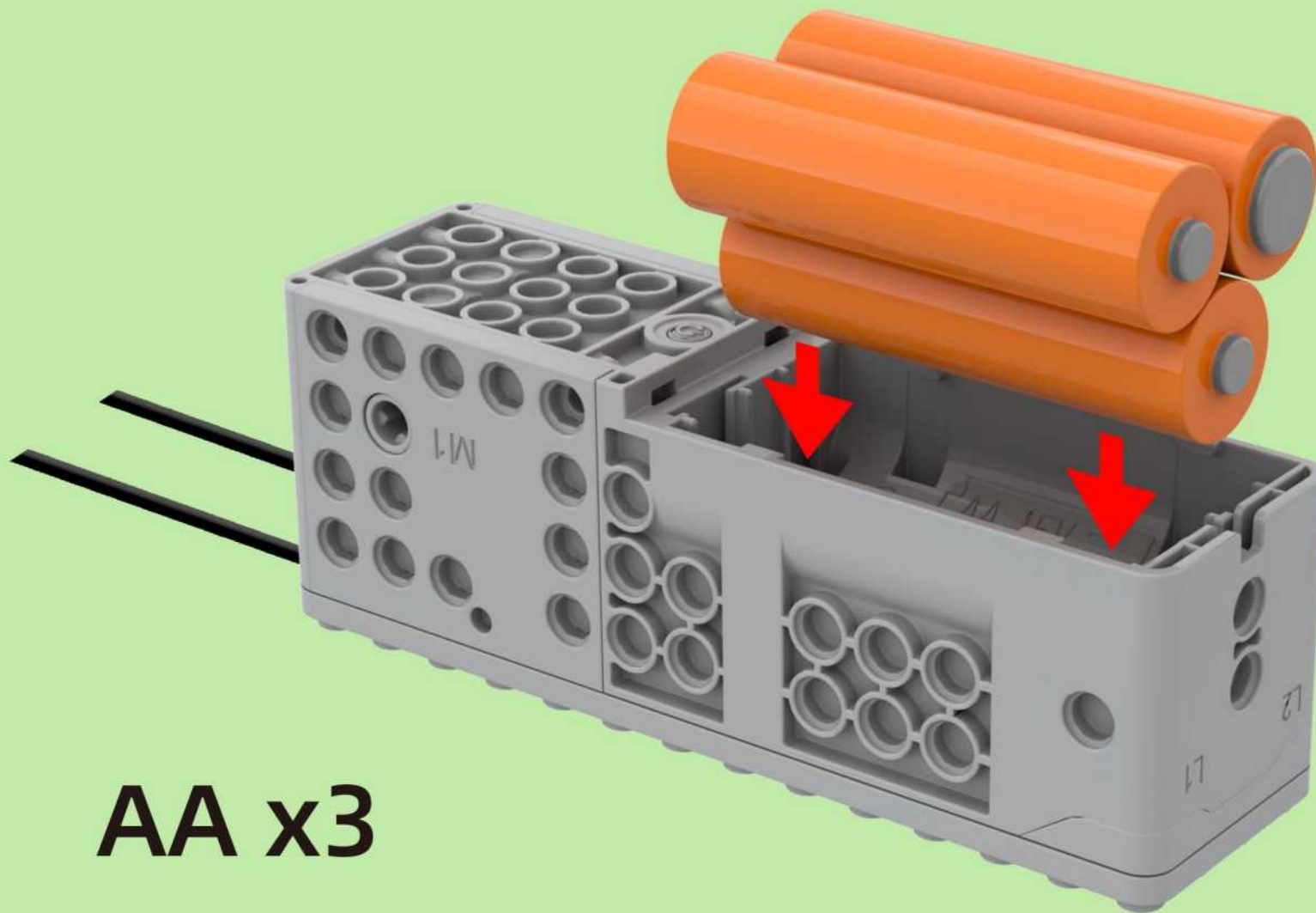


# I

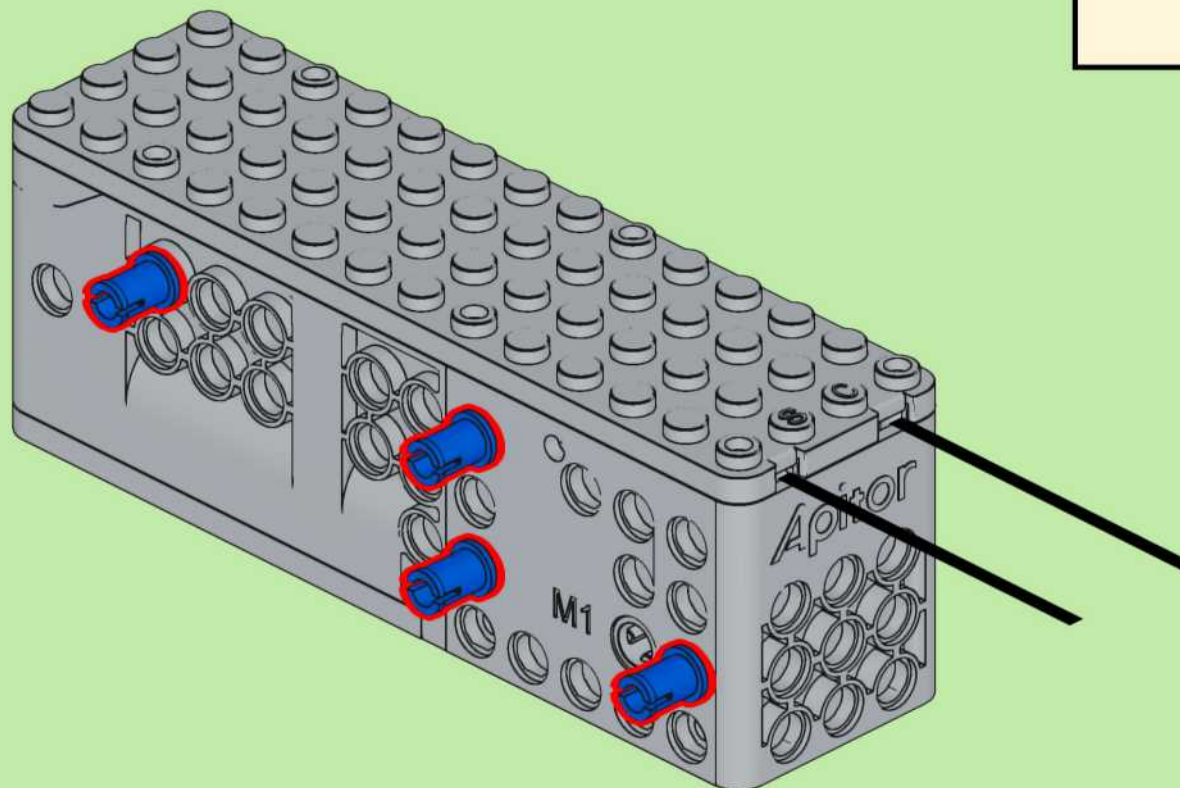
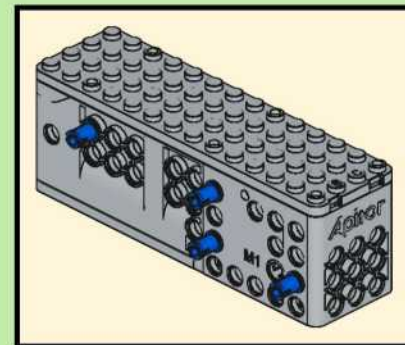


**II**

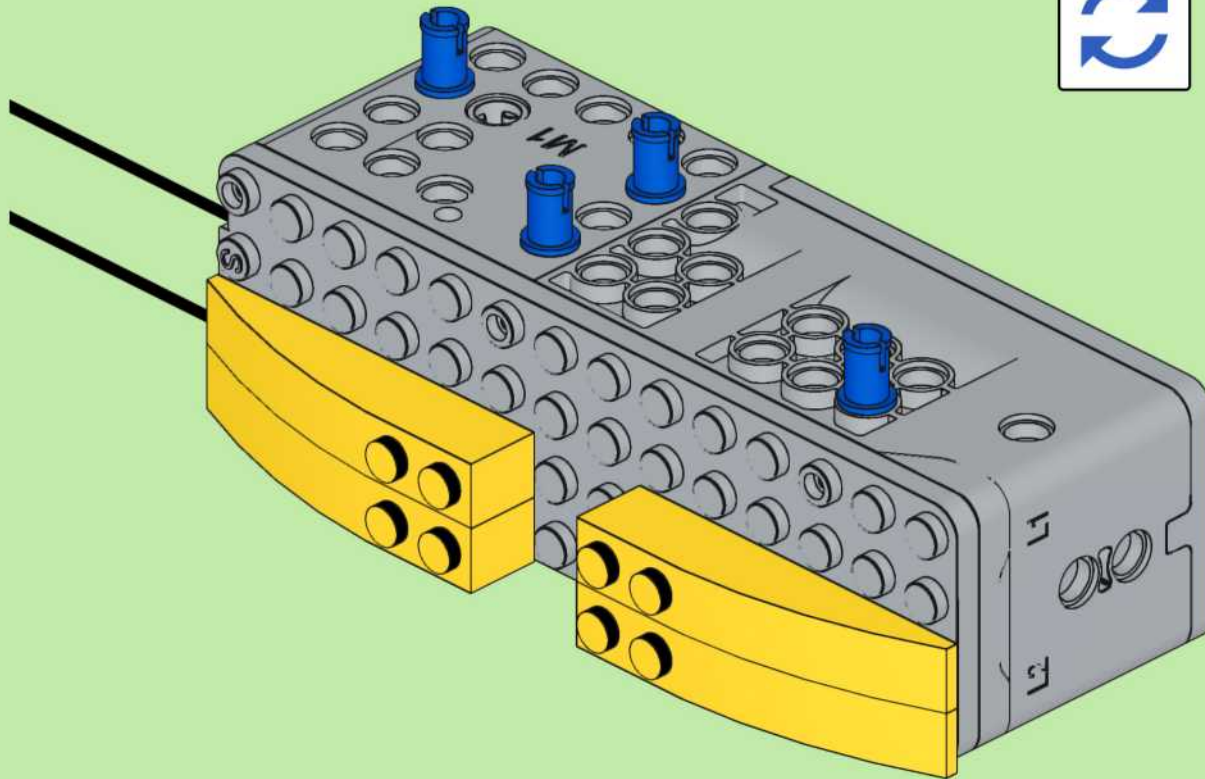
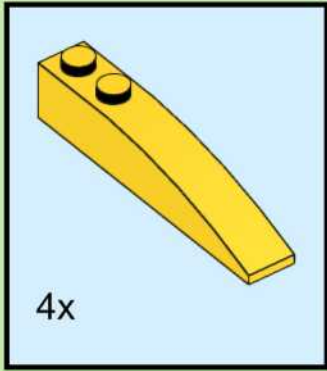


**AA x3**

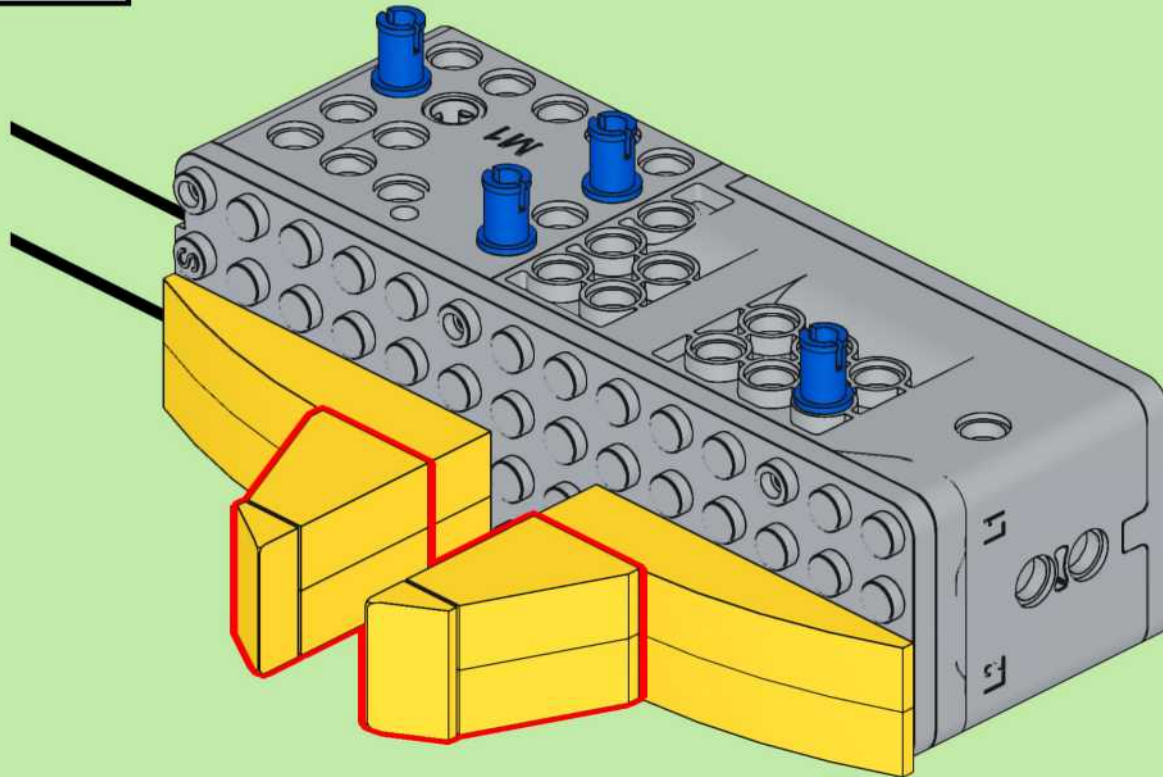
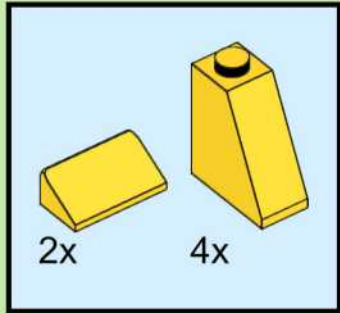
1



2

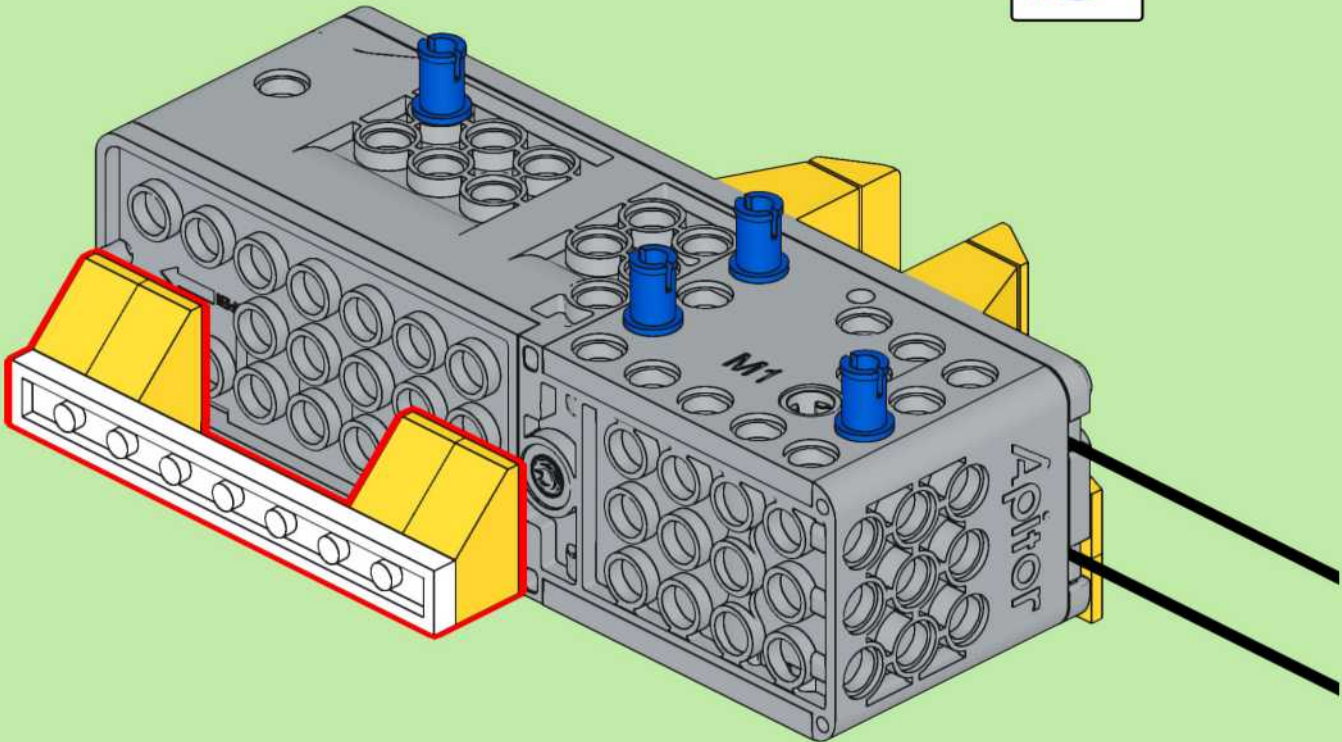
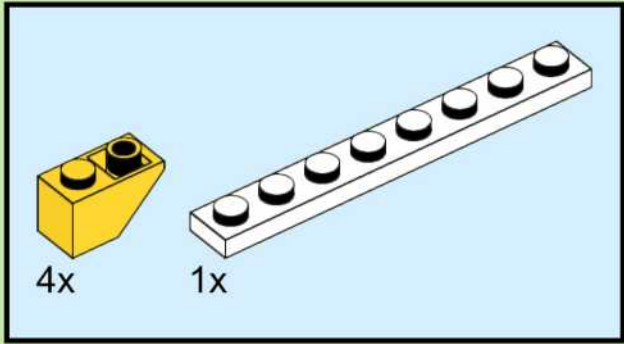


3

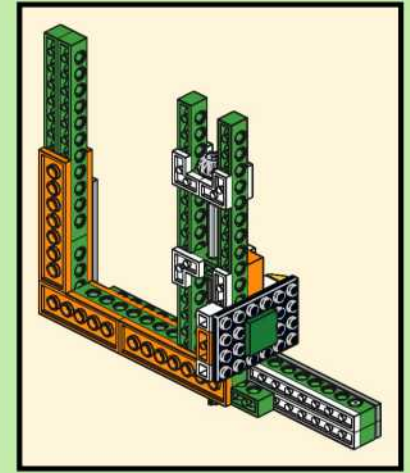
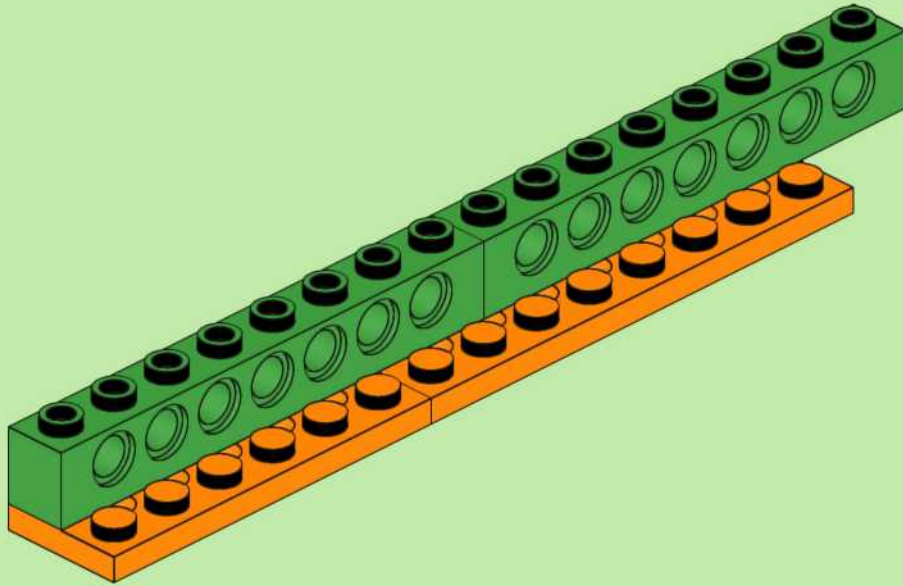
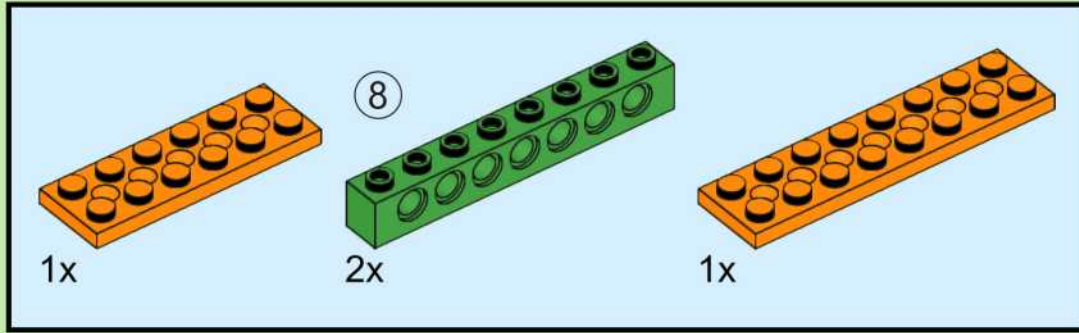




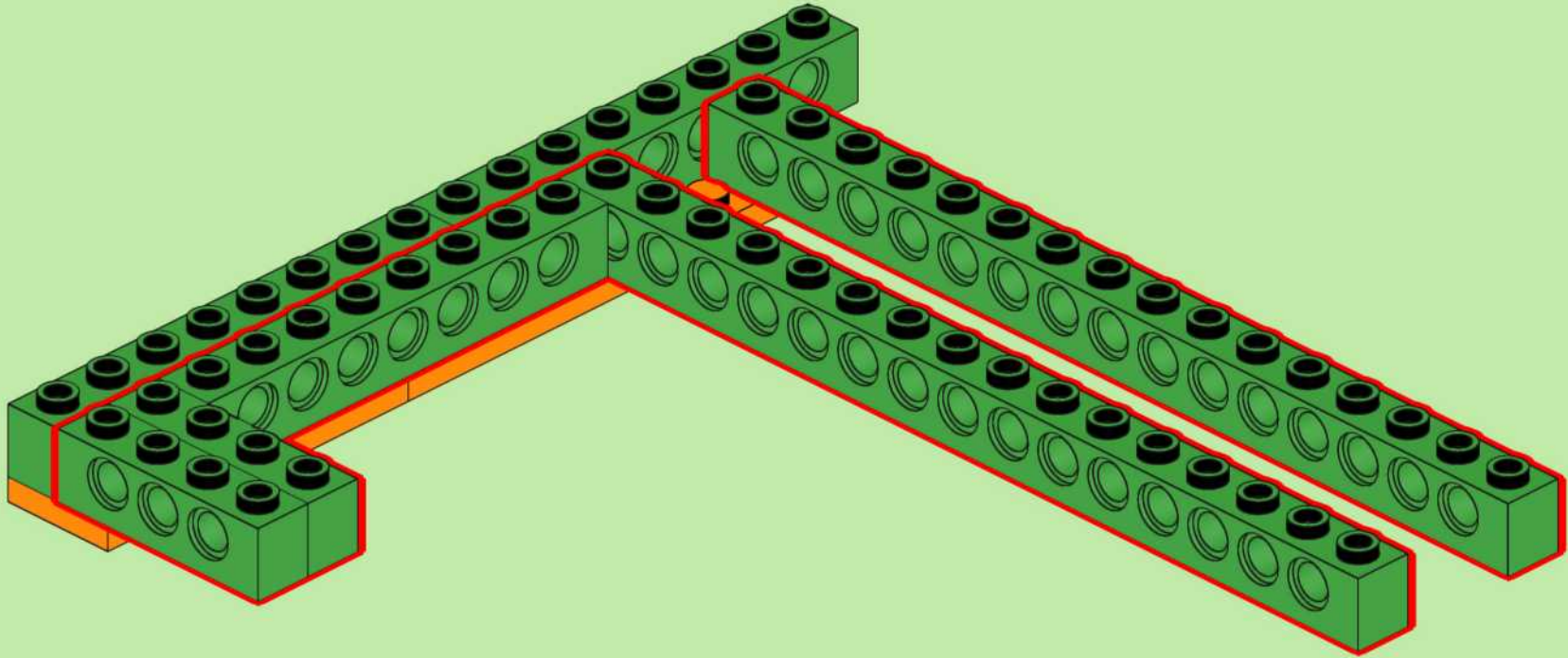
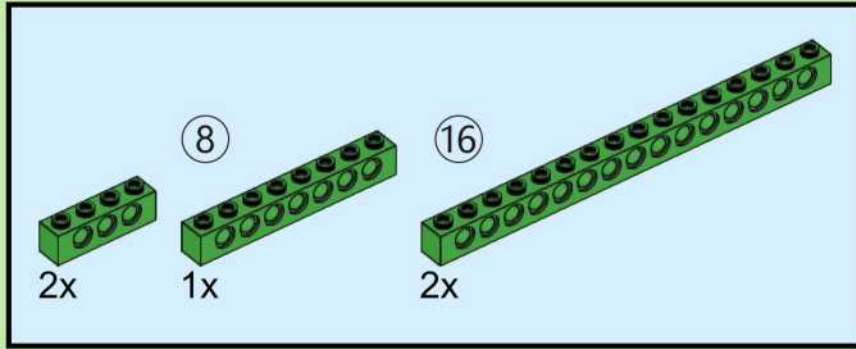
4



# 5

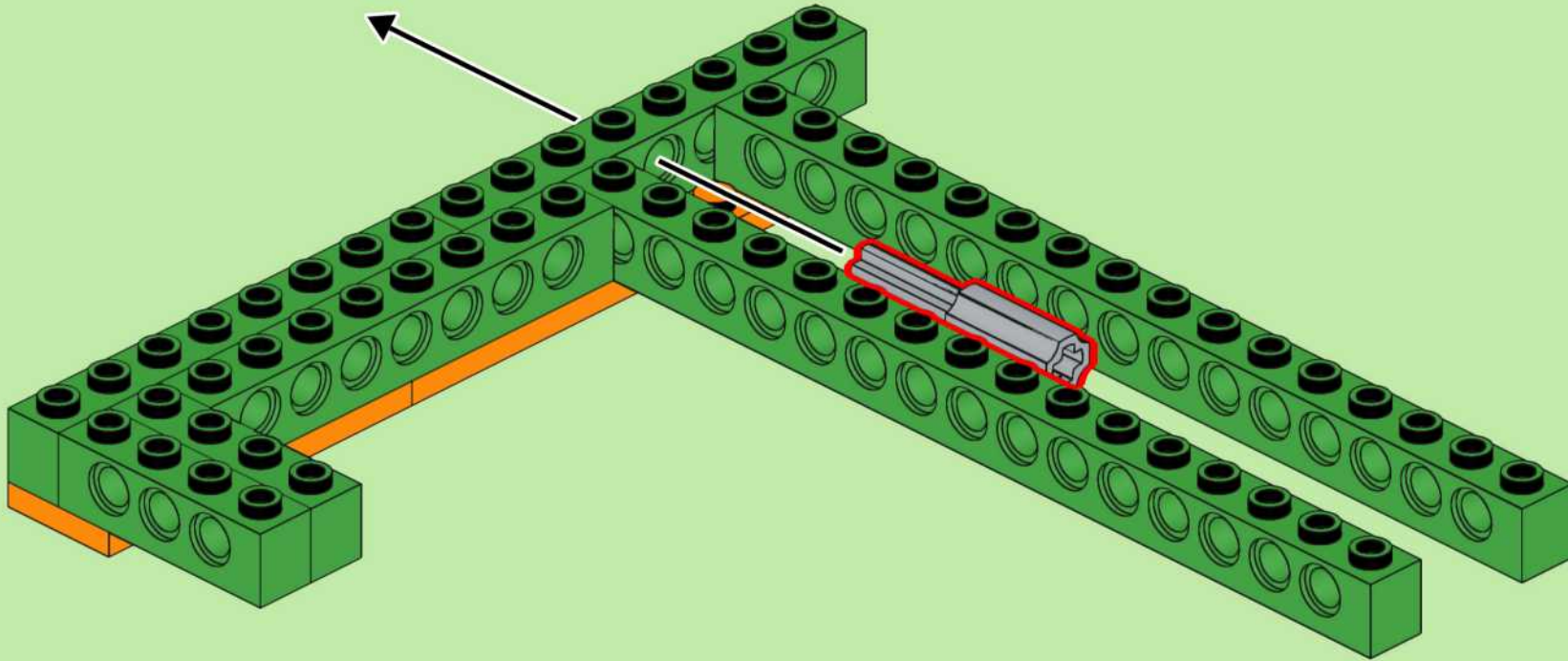
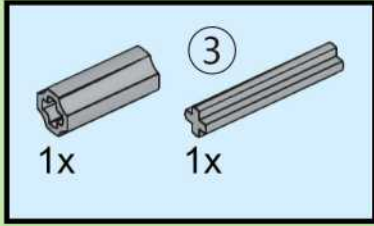


# 6

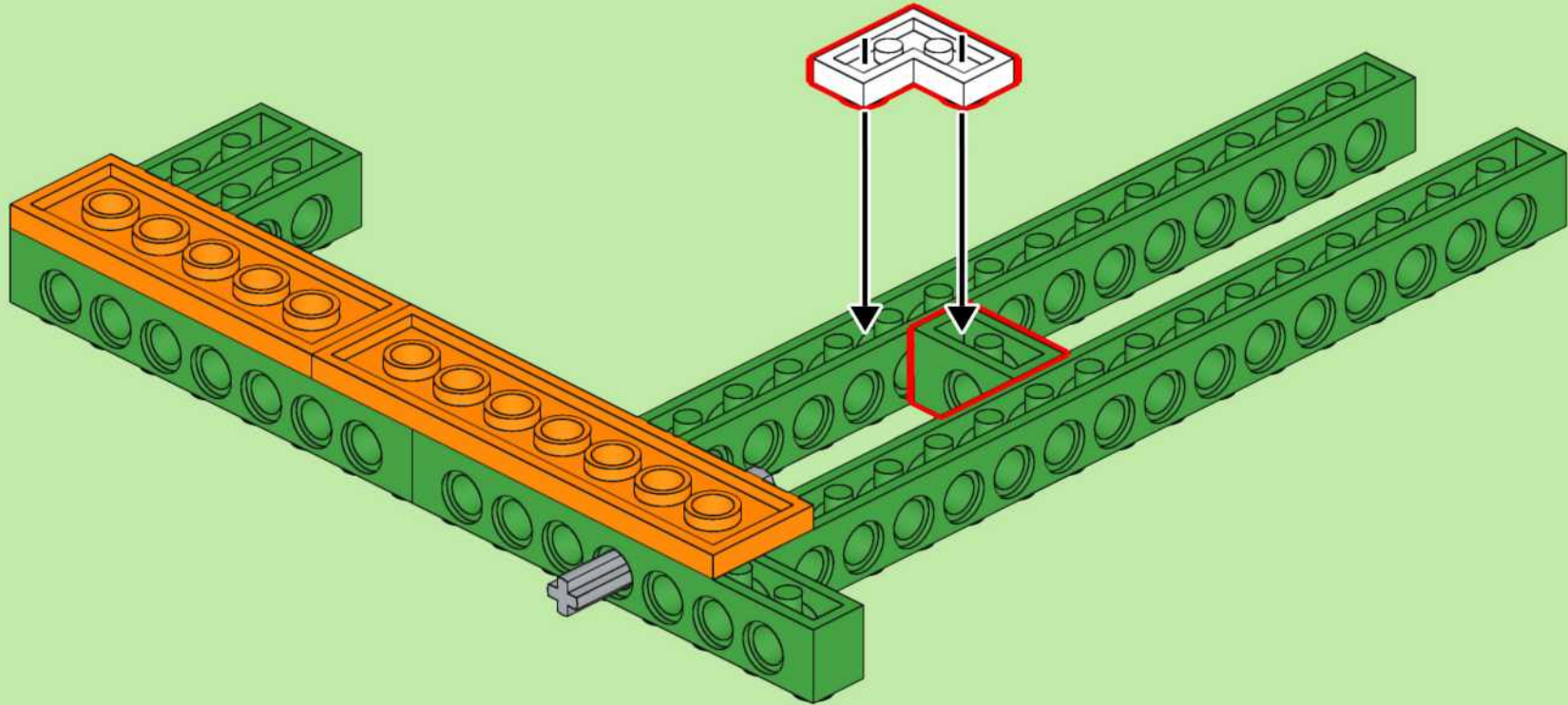
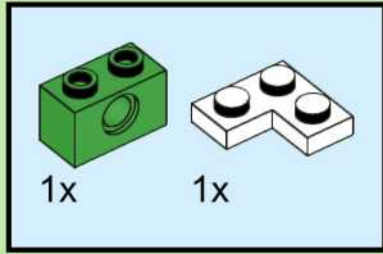




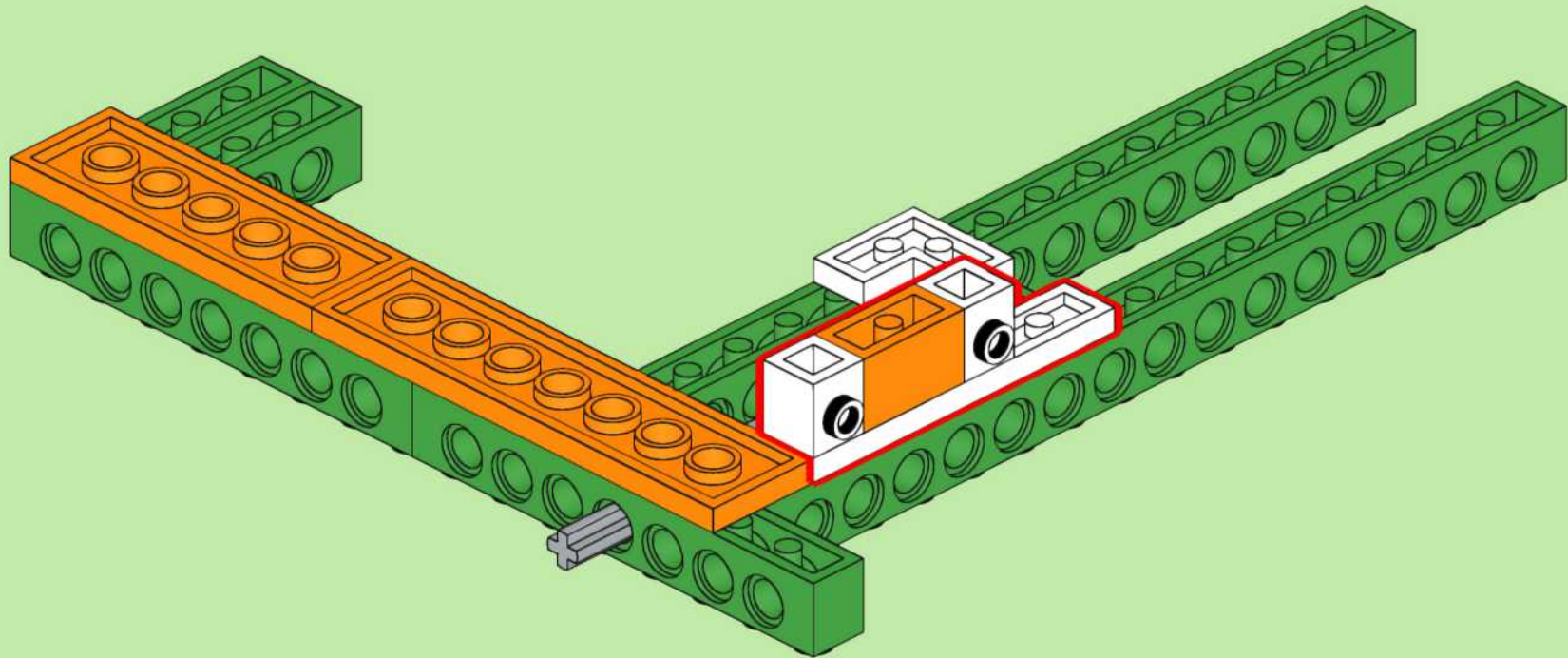
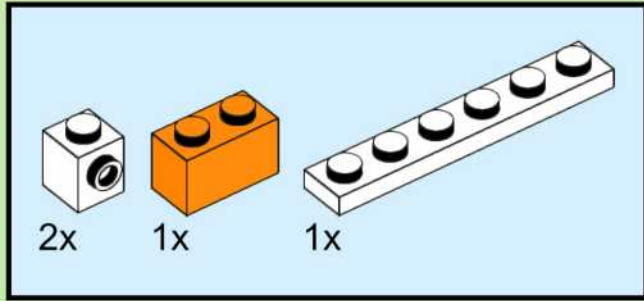
7



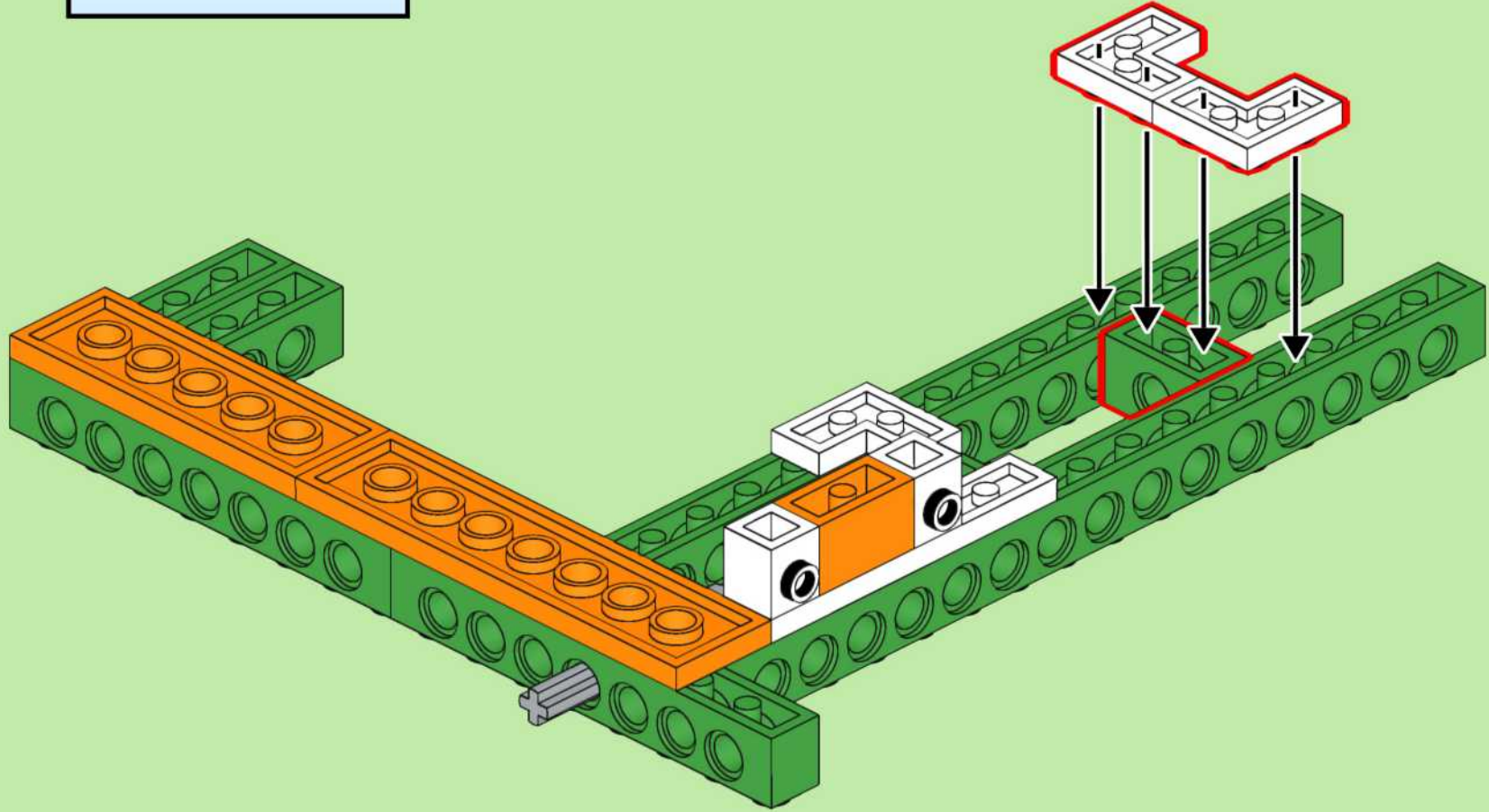
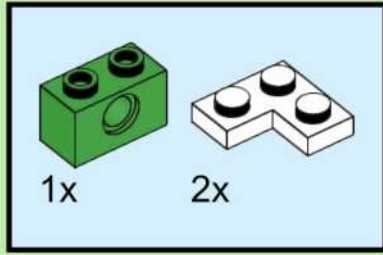
8



9

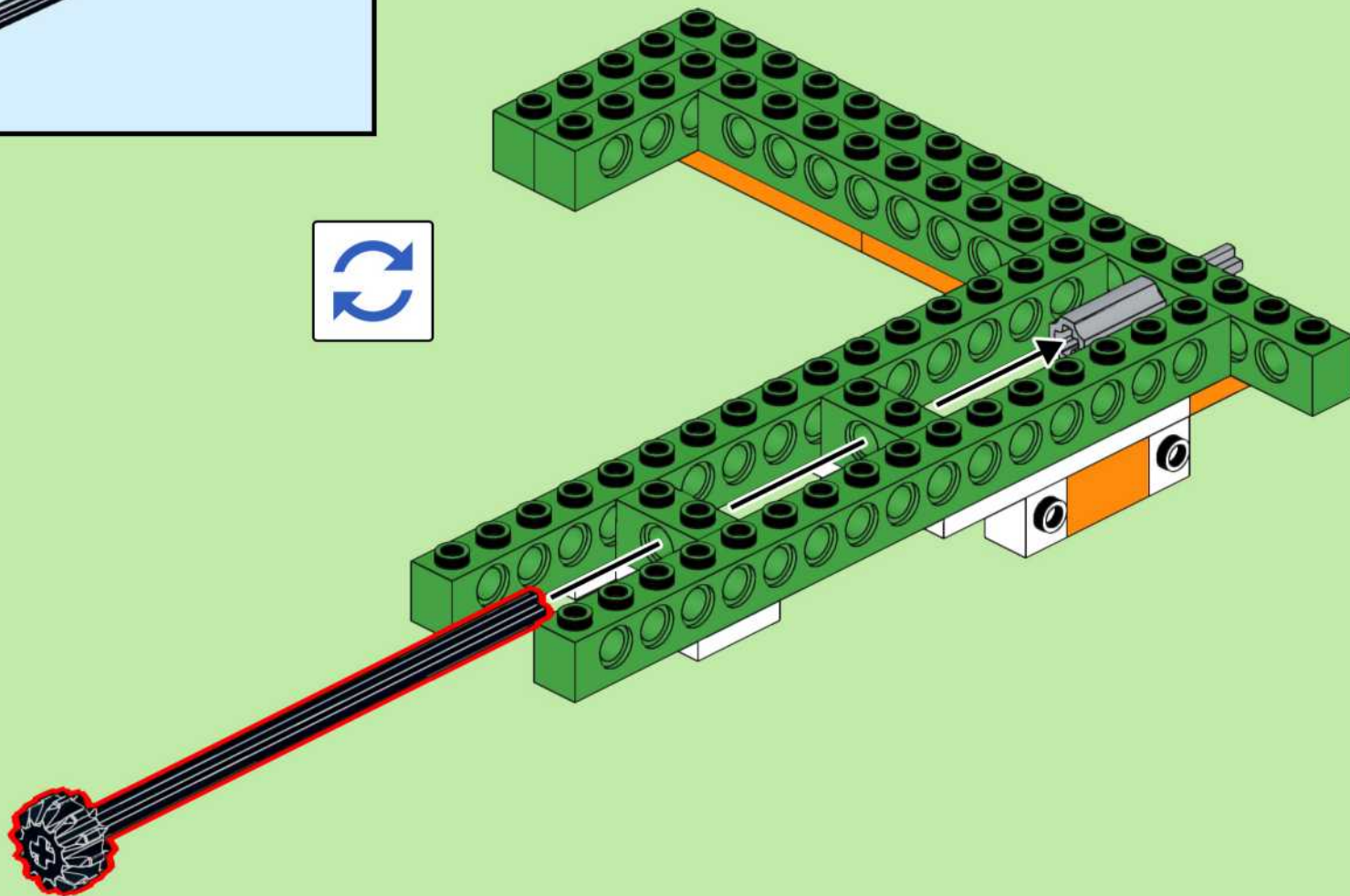
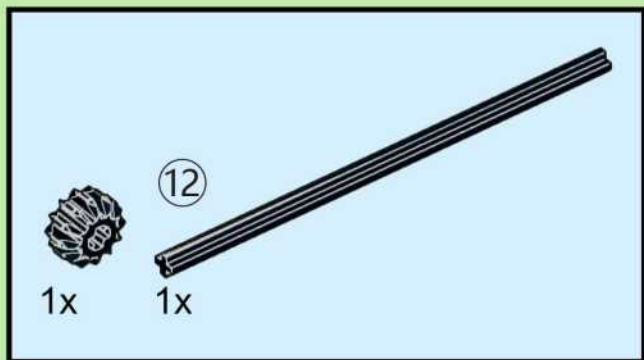


# 10





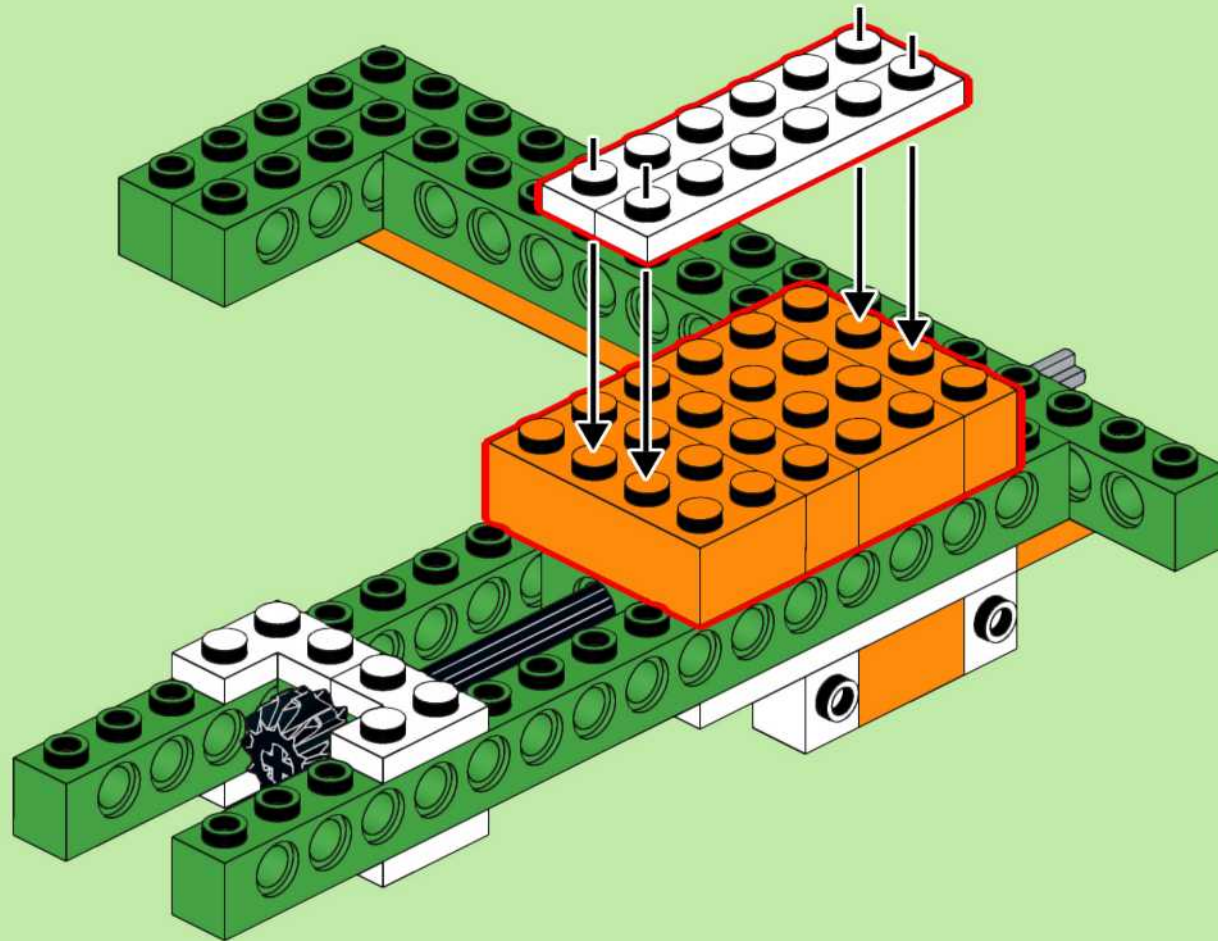
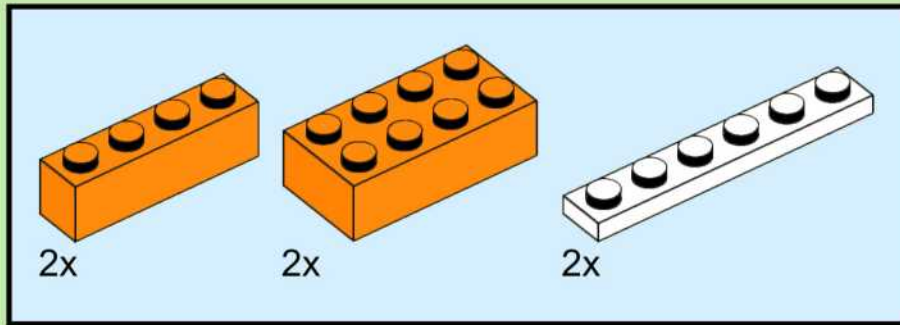
# 11



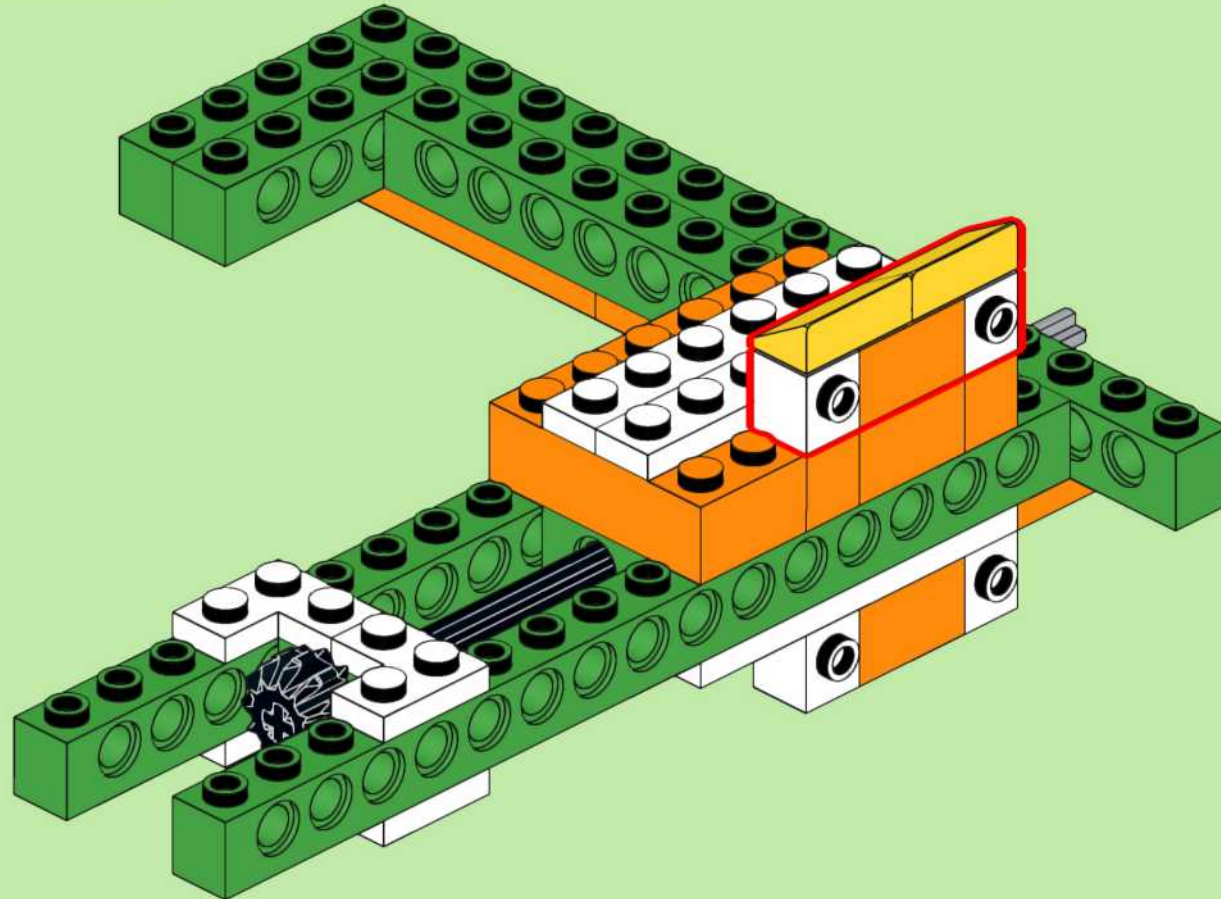
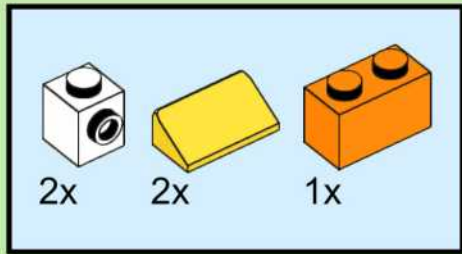




# 13

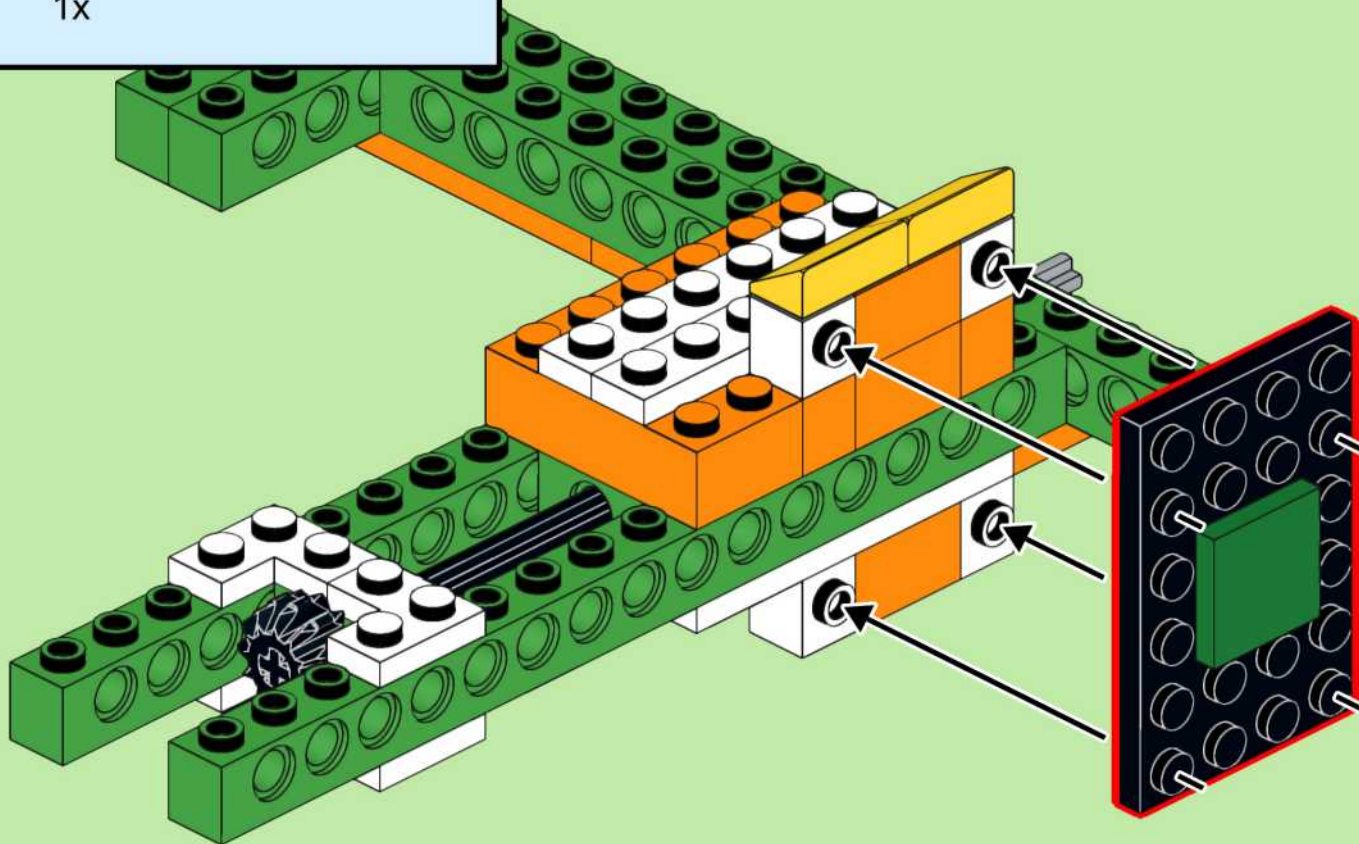
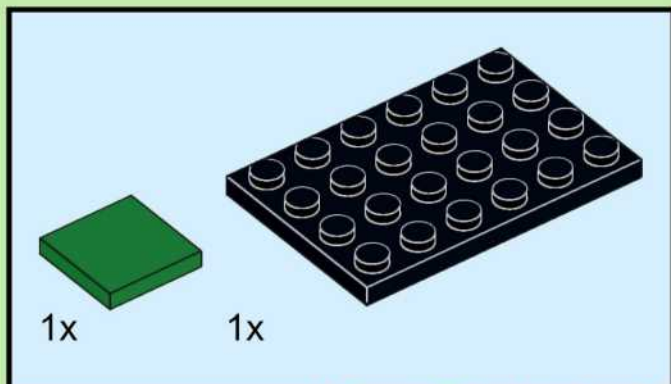


# 14

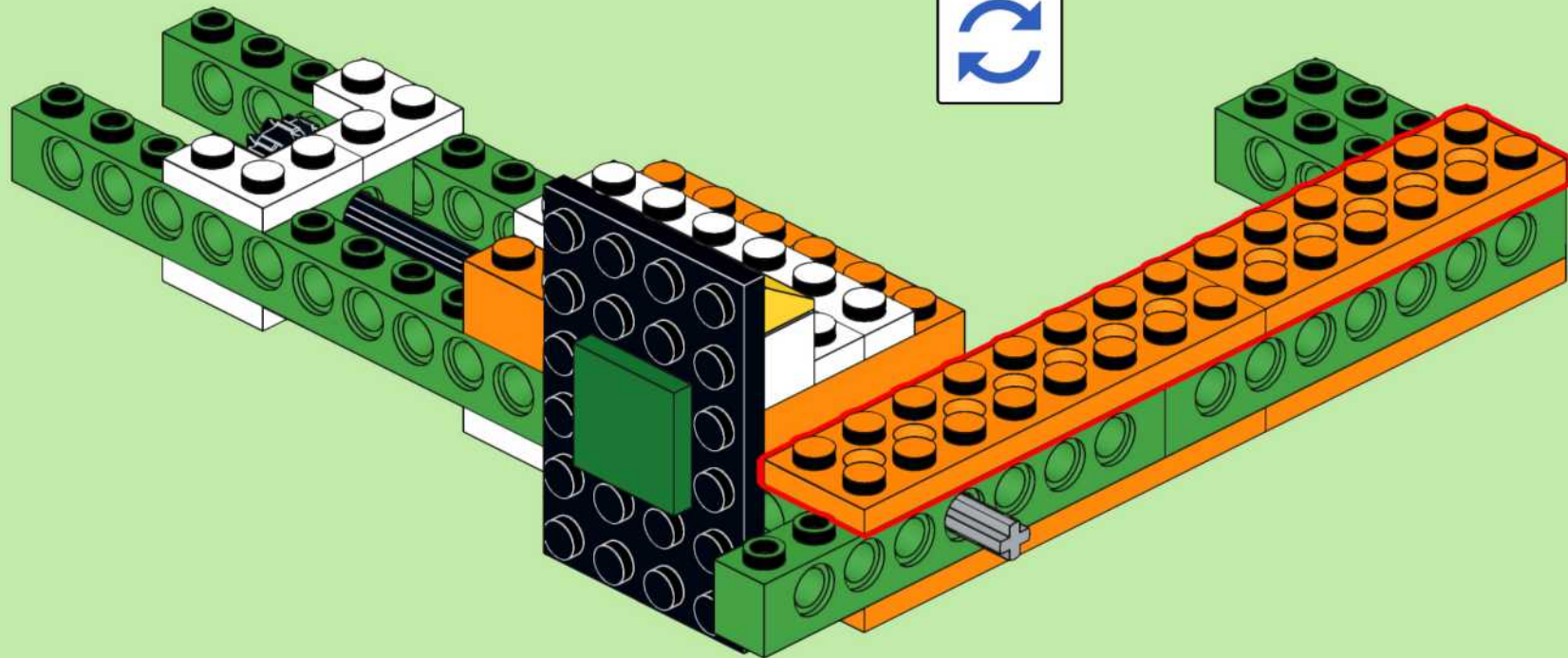
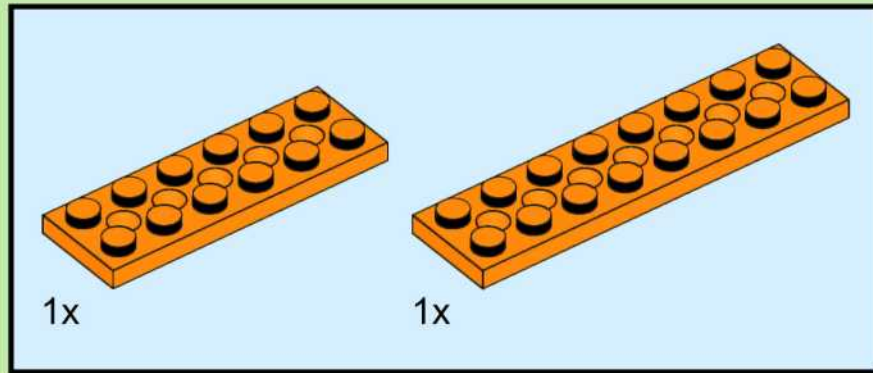




# 15

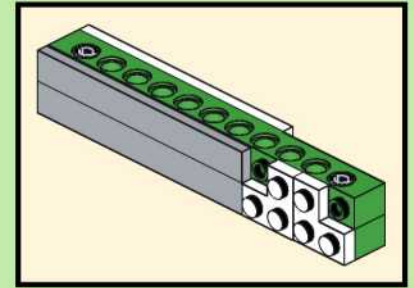
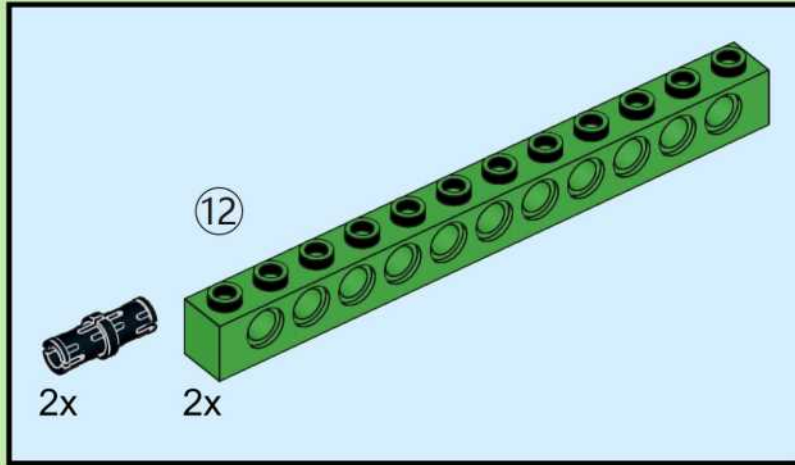


# 16

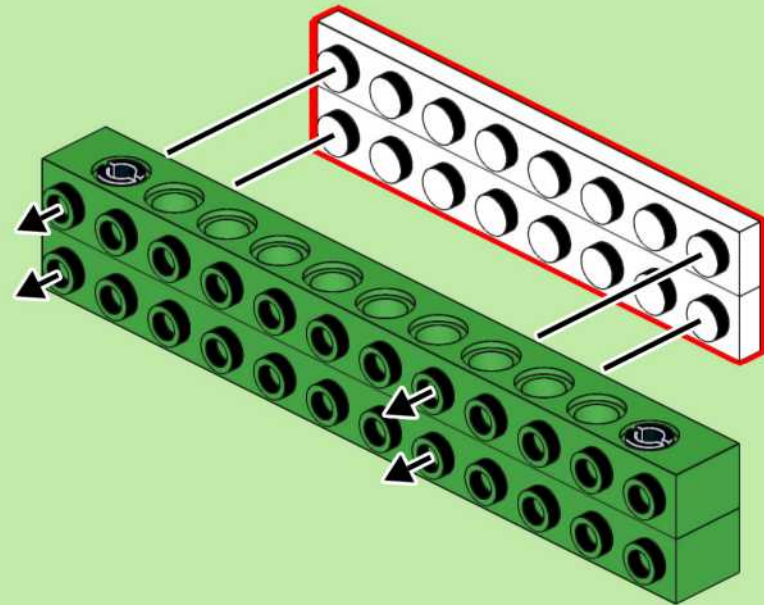
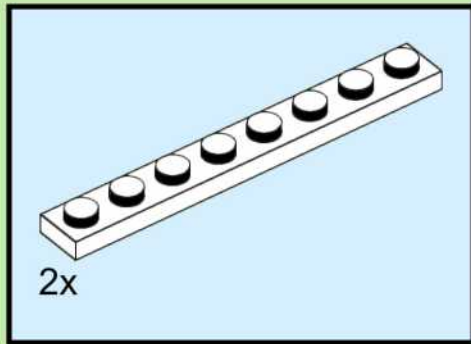




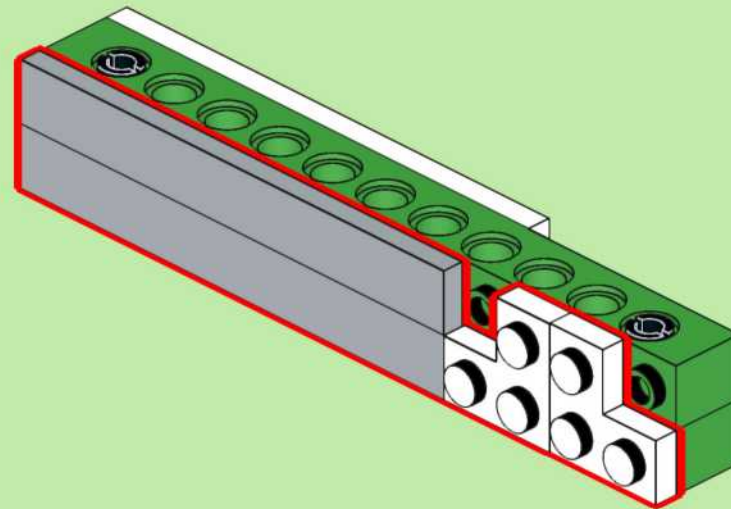
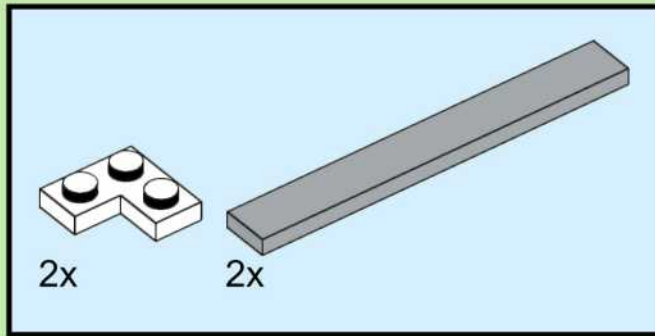
# 17



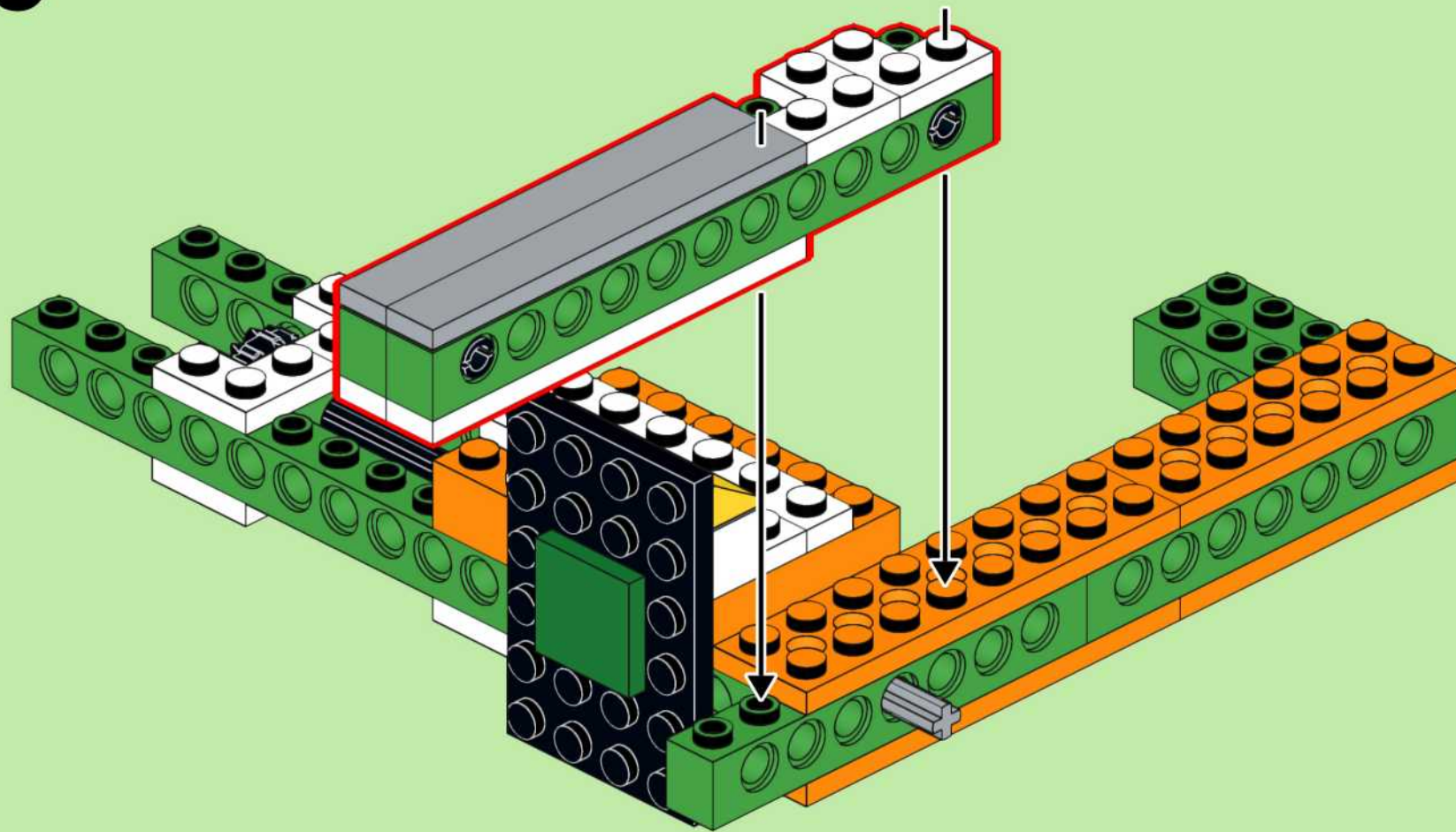
# 18



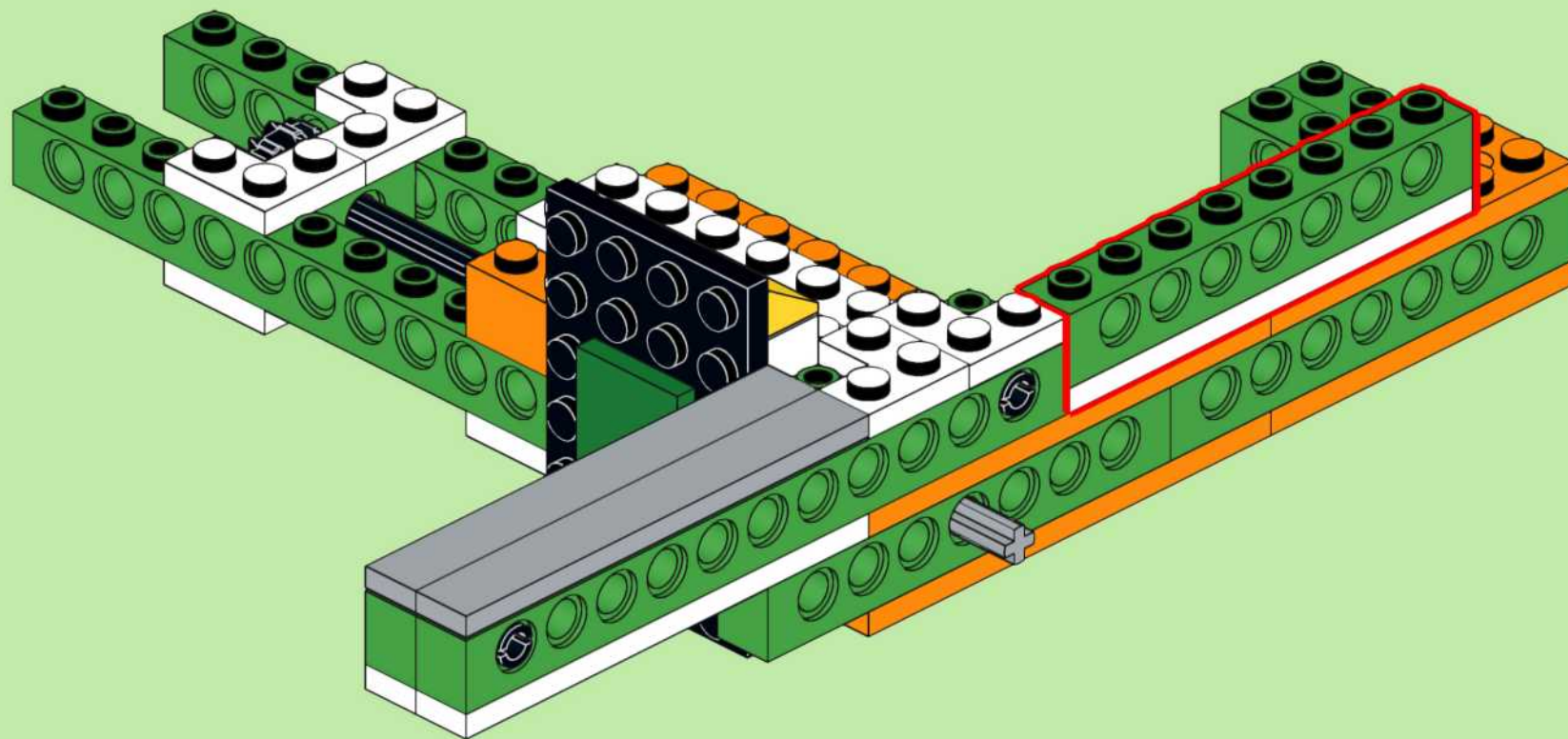
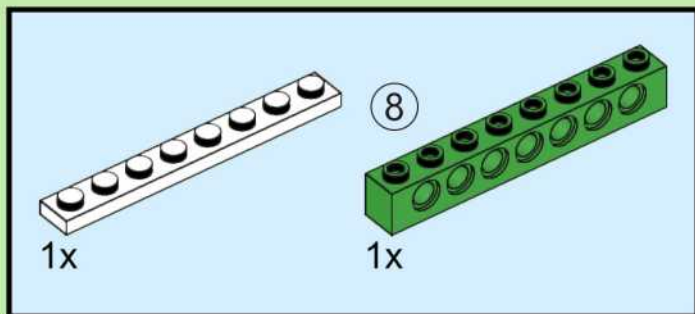
# 19



# 20

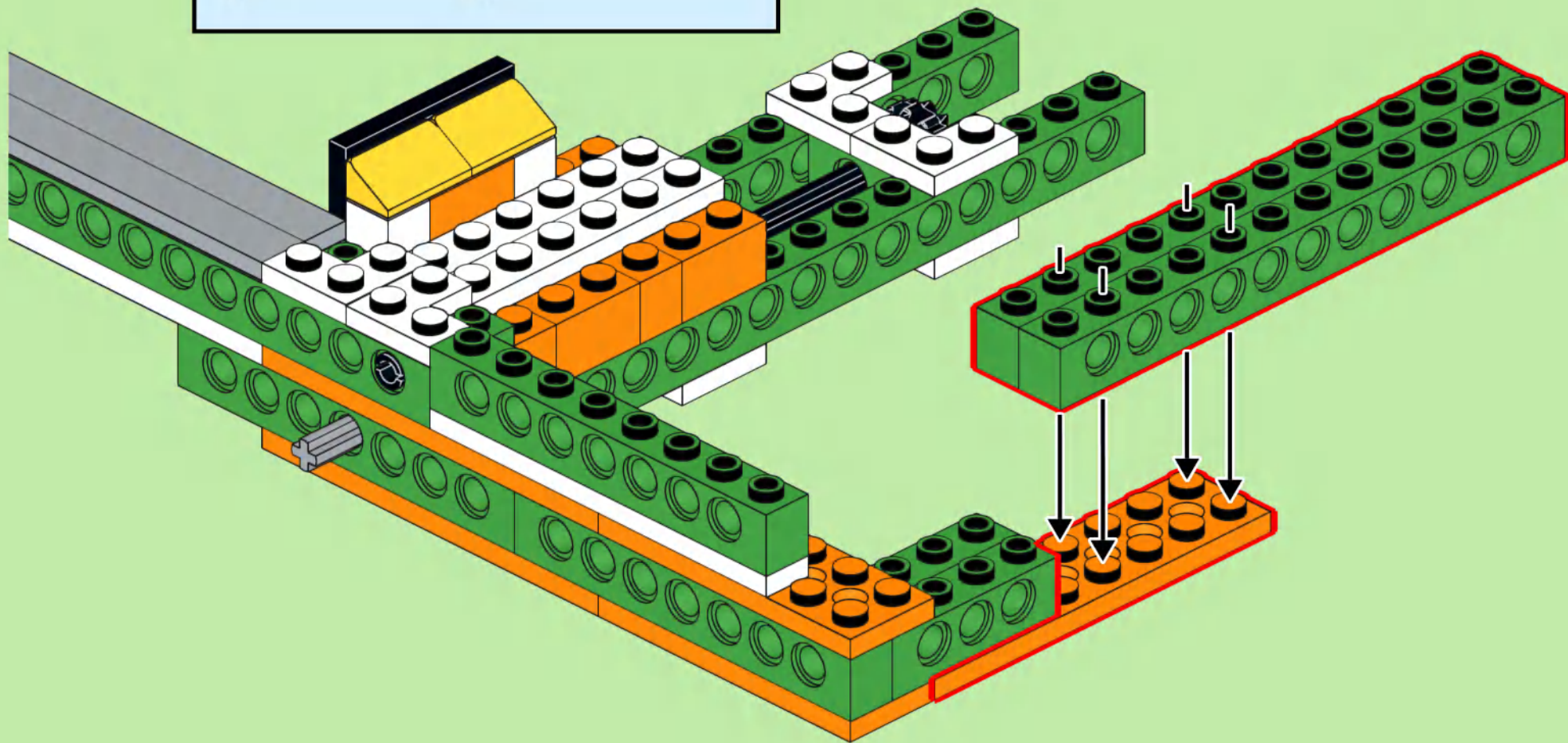
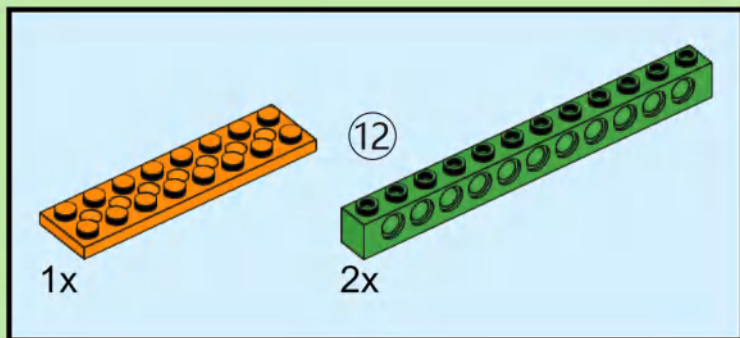


# 21

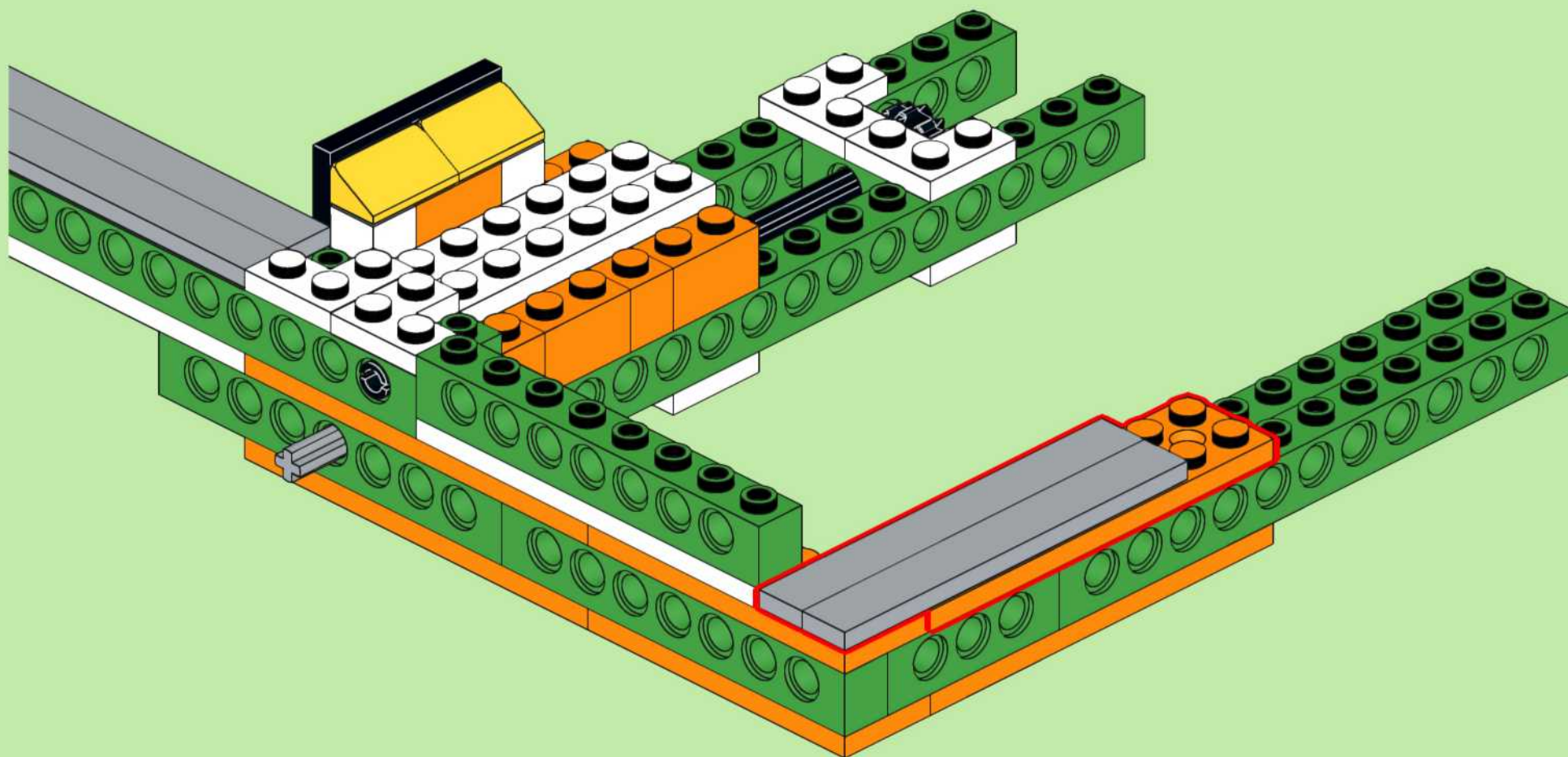
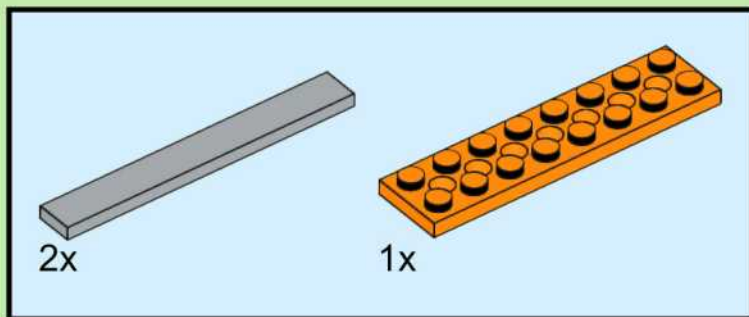




# 22

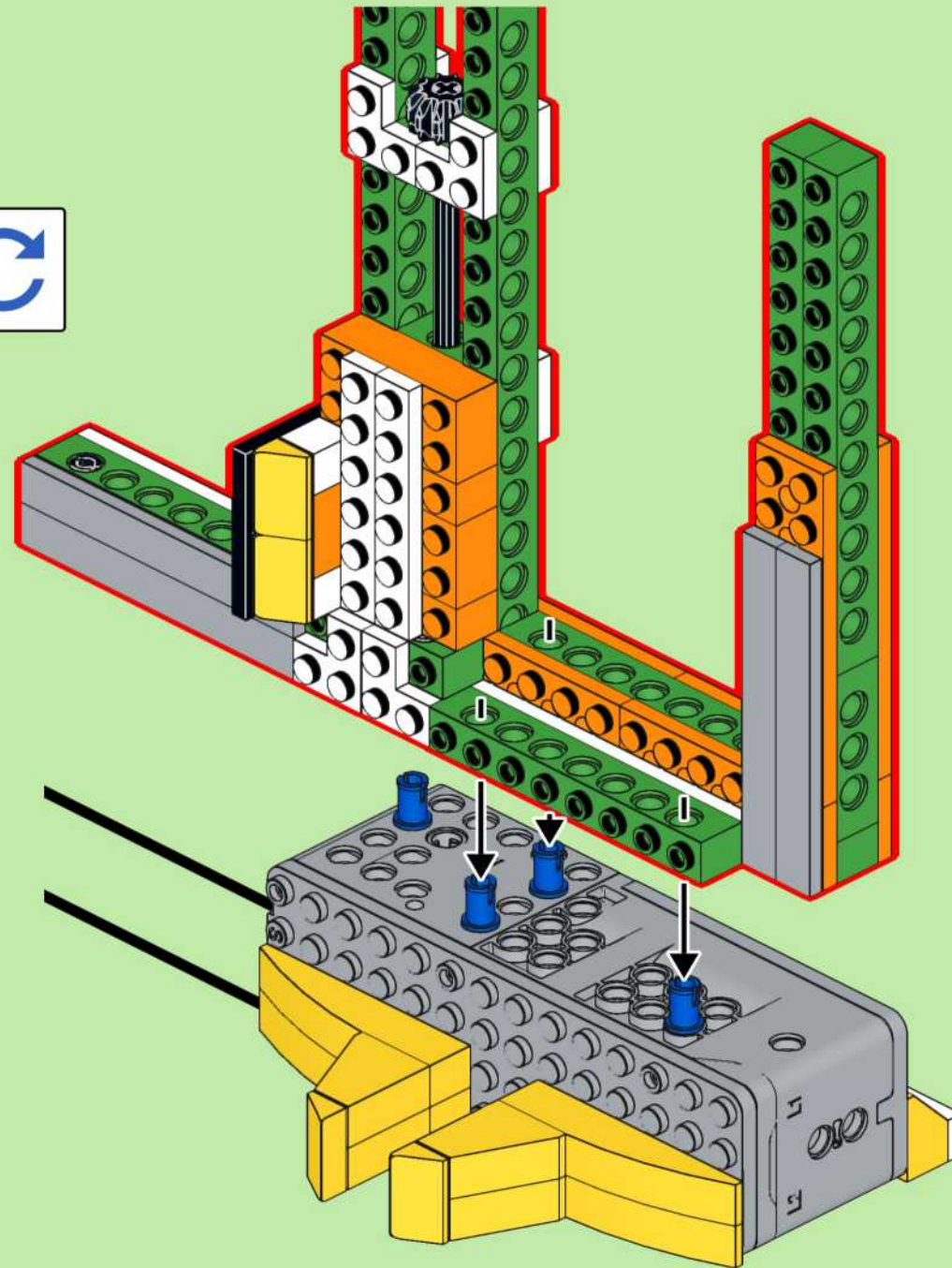


# 23

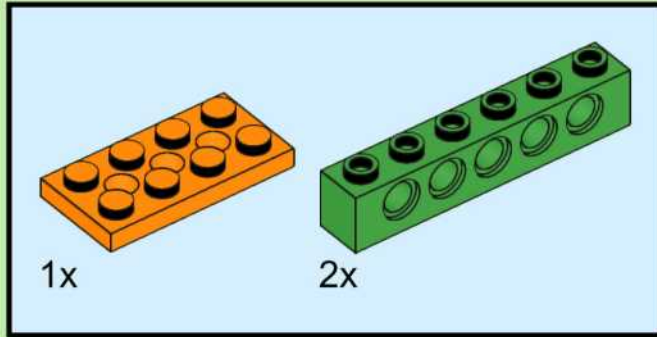




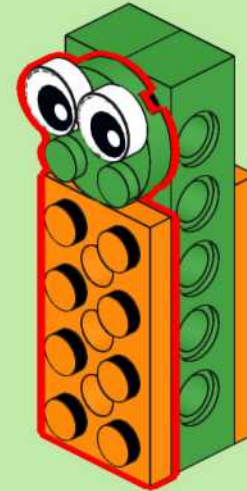
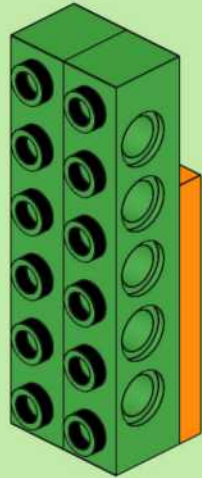
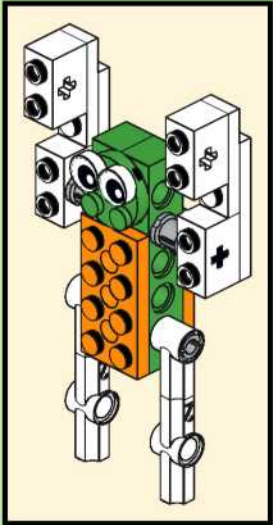
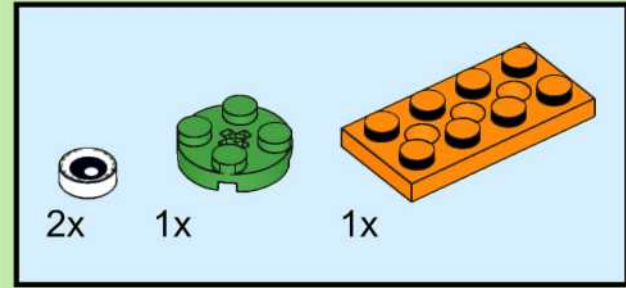
# 24



# 25

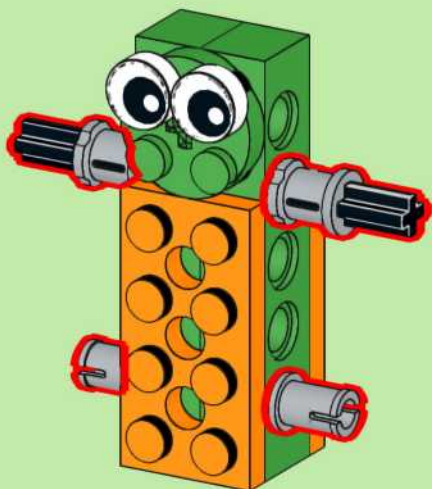
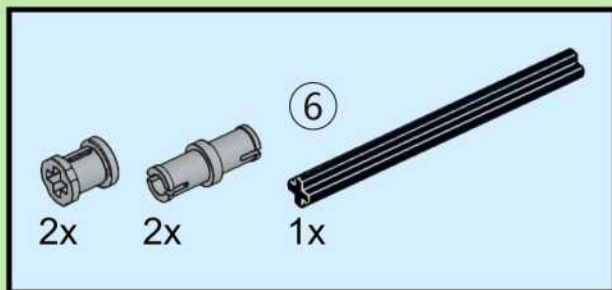


# 26

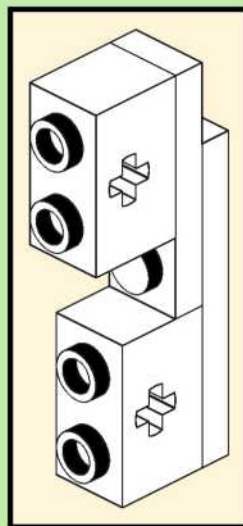
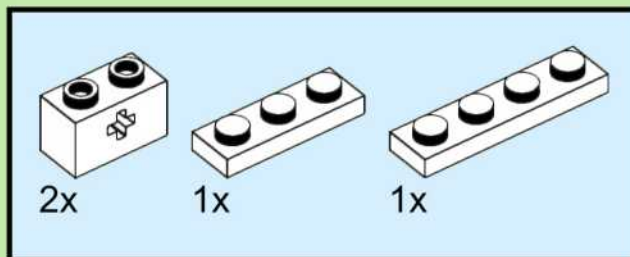




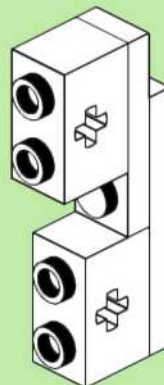
# 27



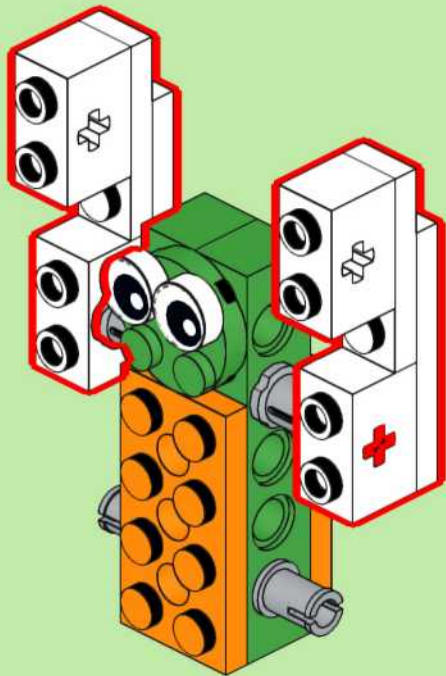
# 28



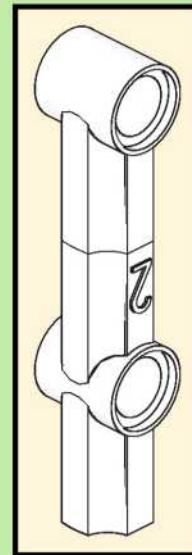
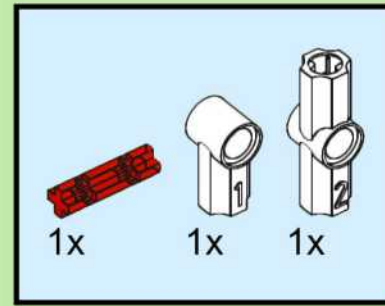
2x



# 29



# 30

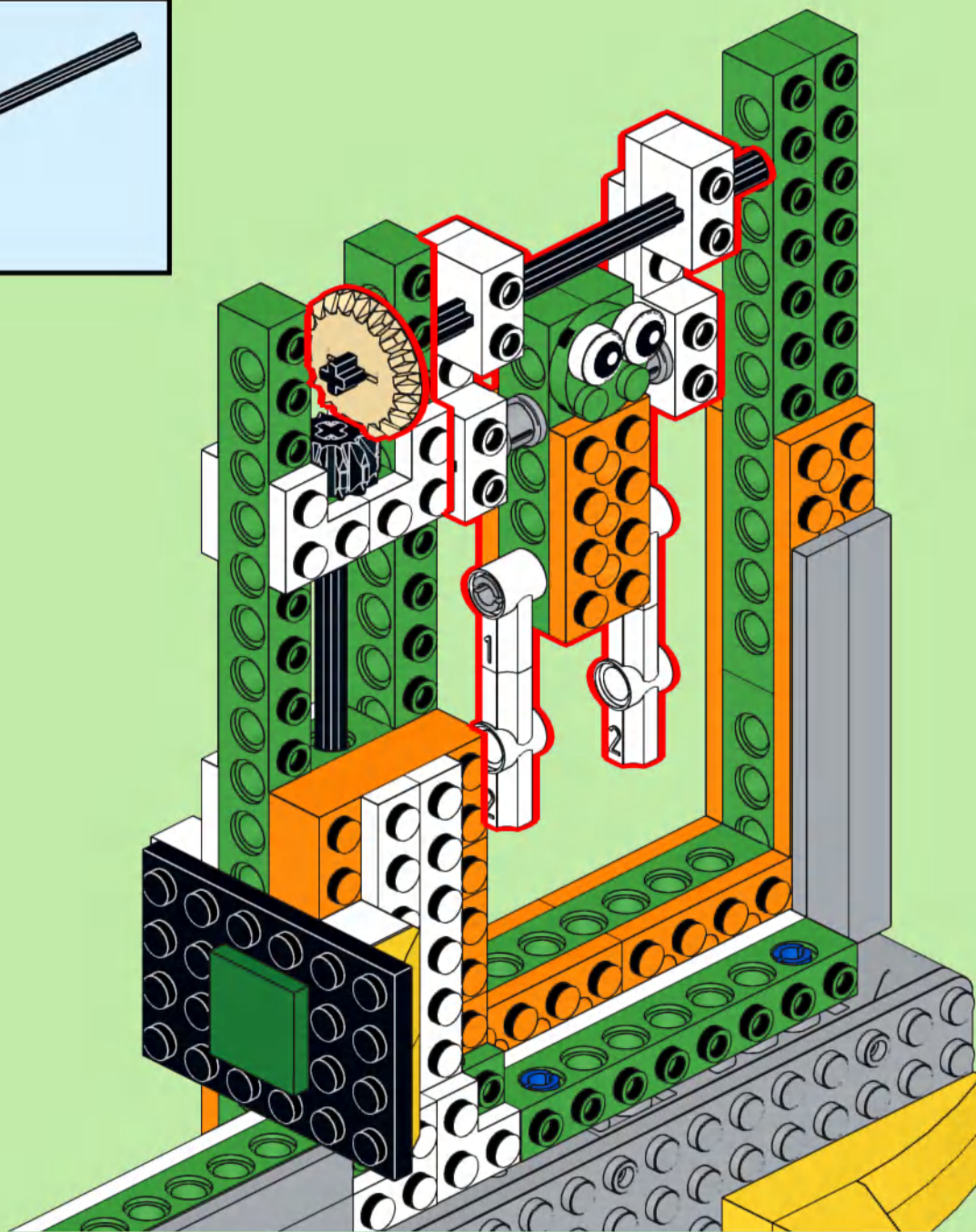
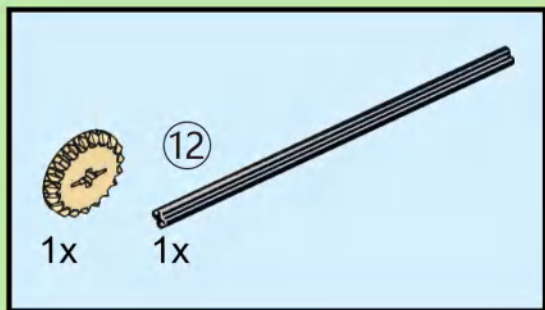


2x



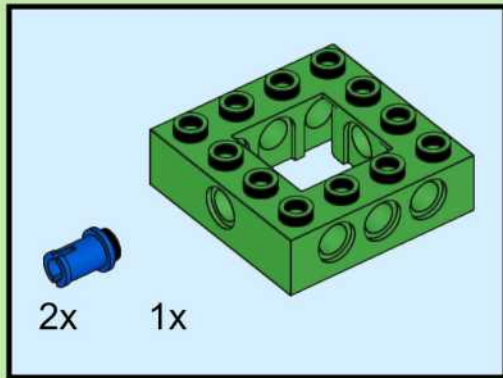


# 32

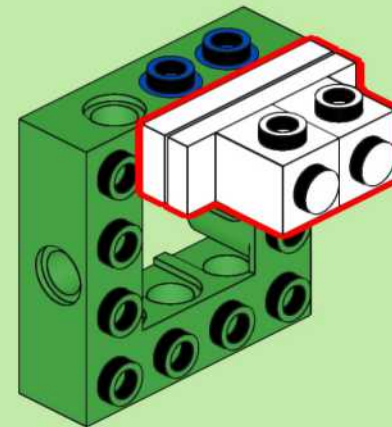
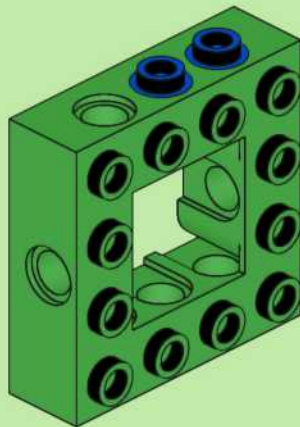
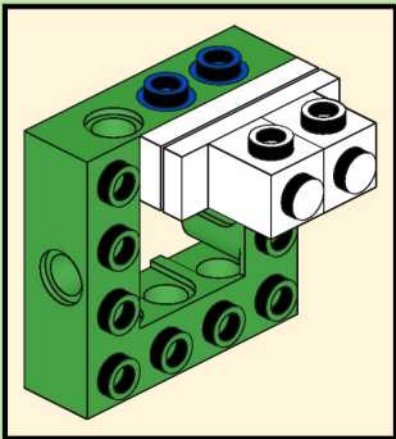
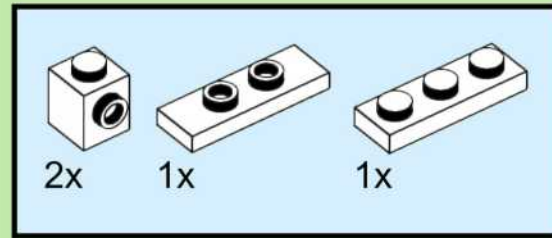




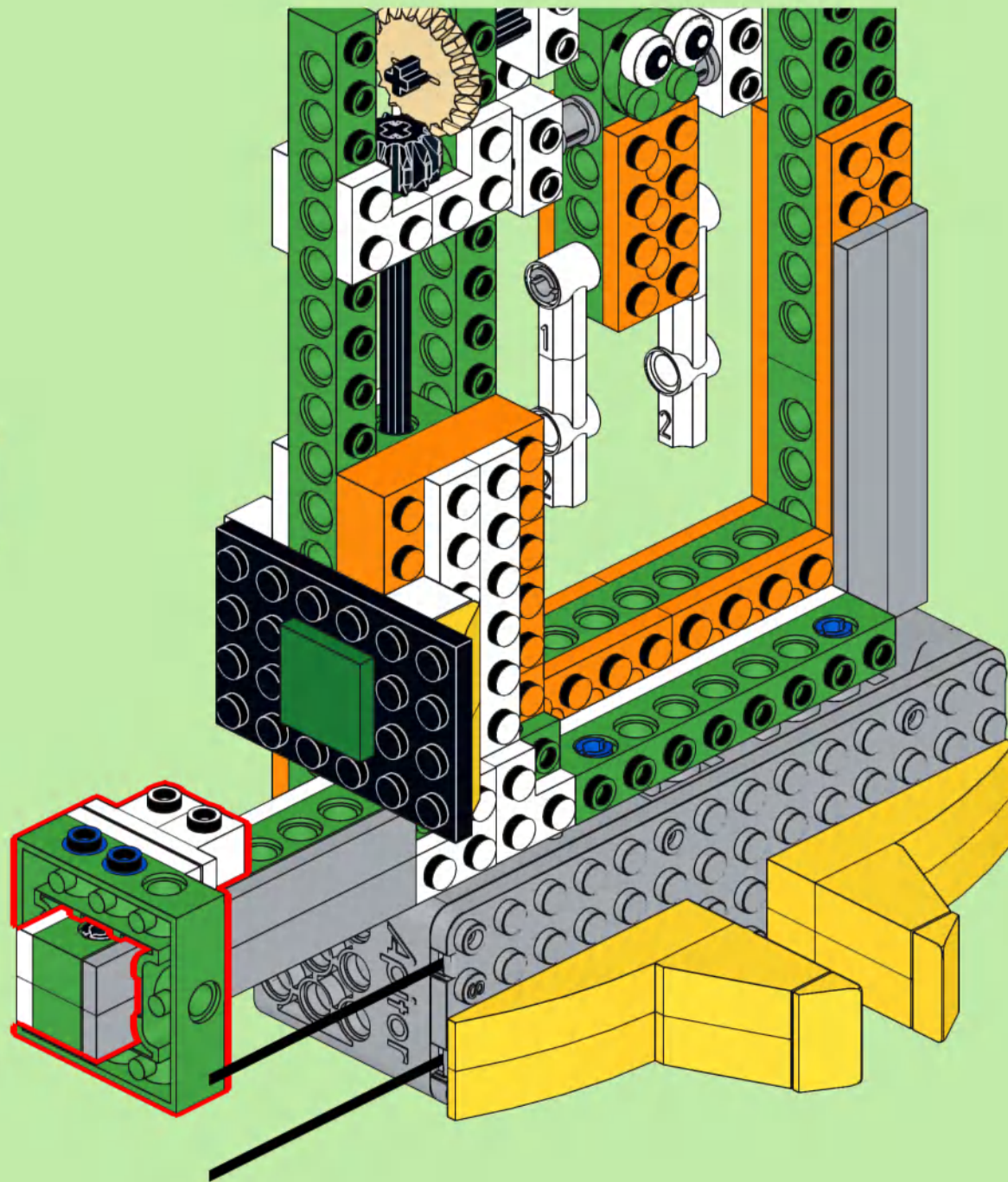
# 33



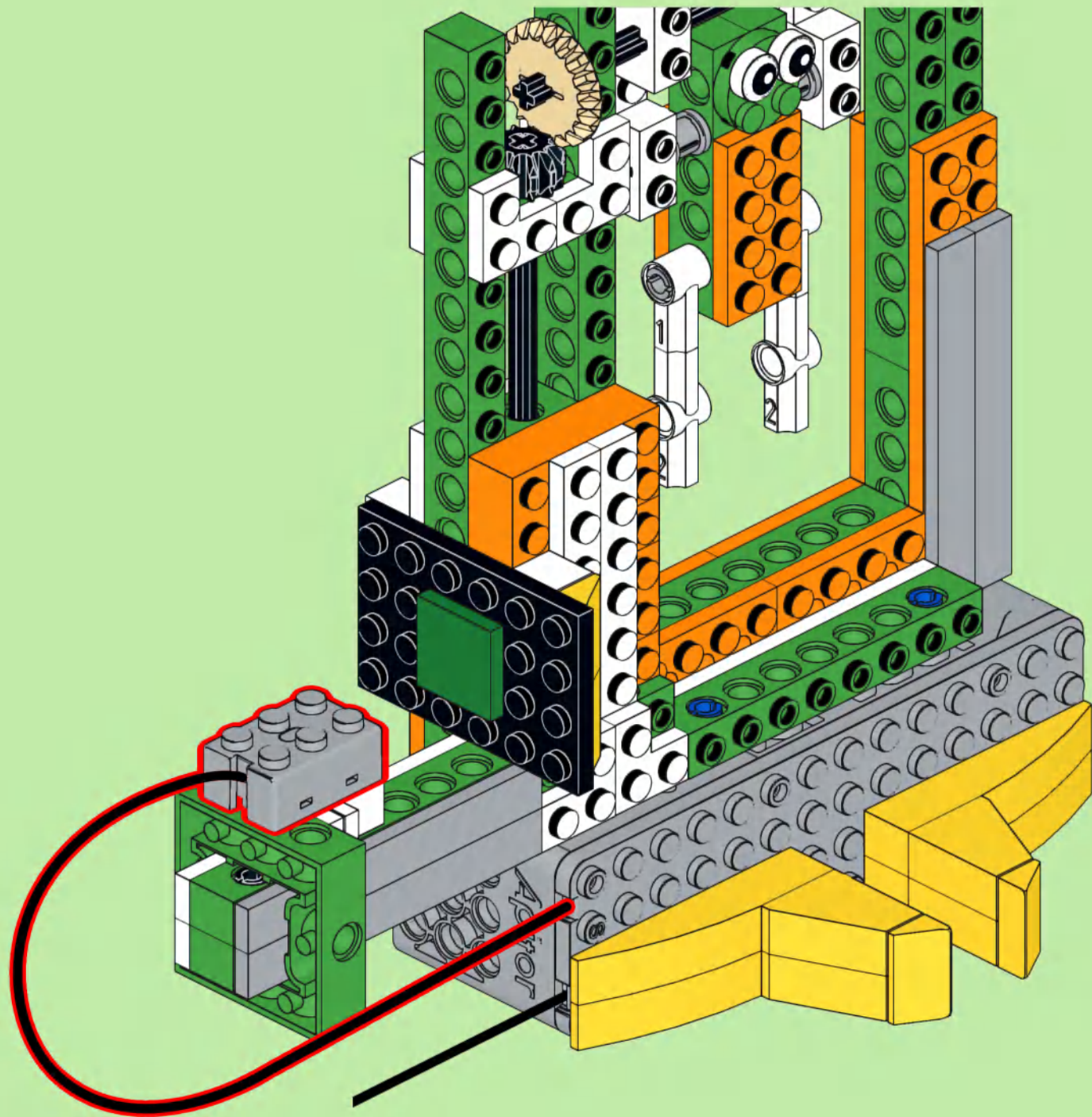
# 34



# 35

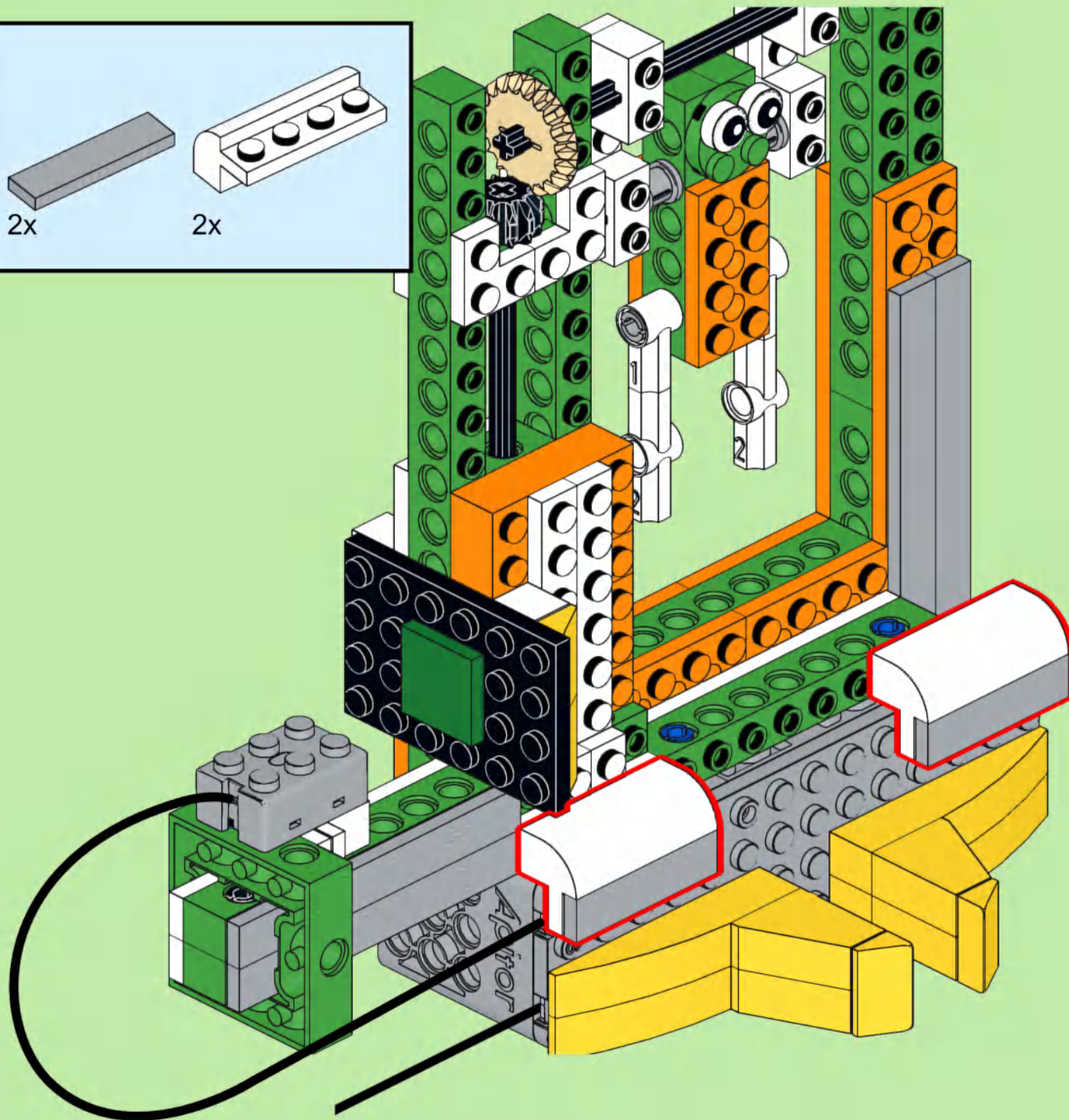
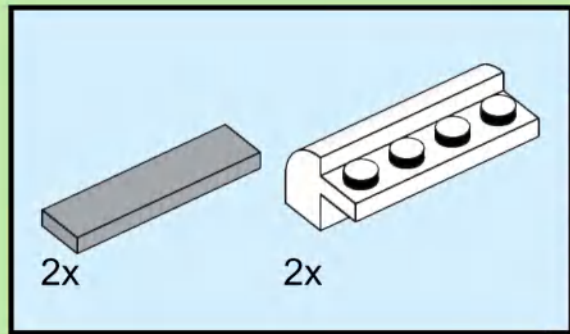


36



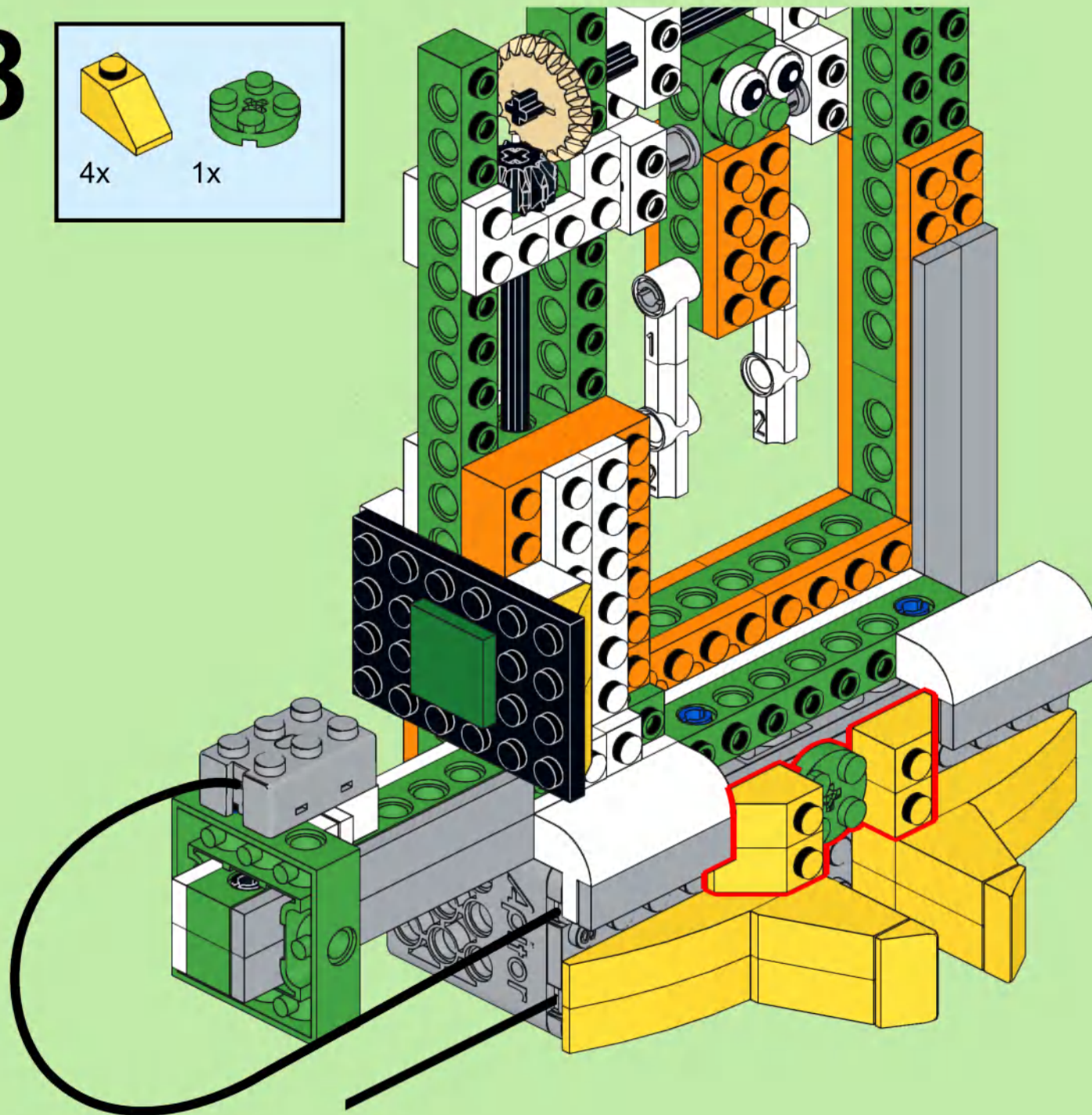
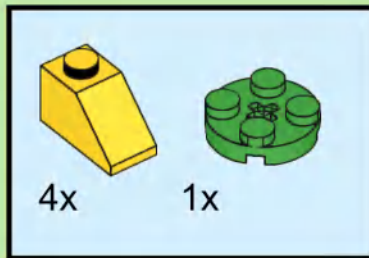


# 37

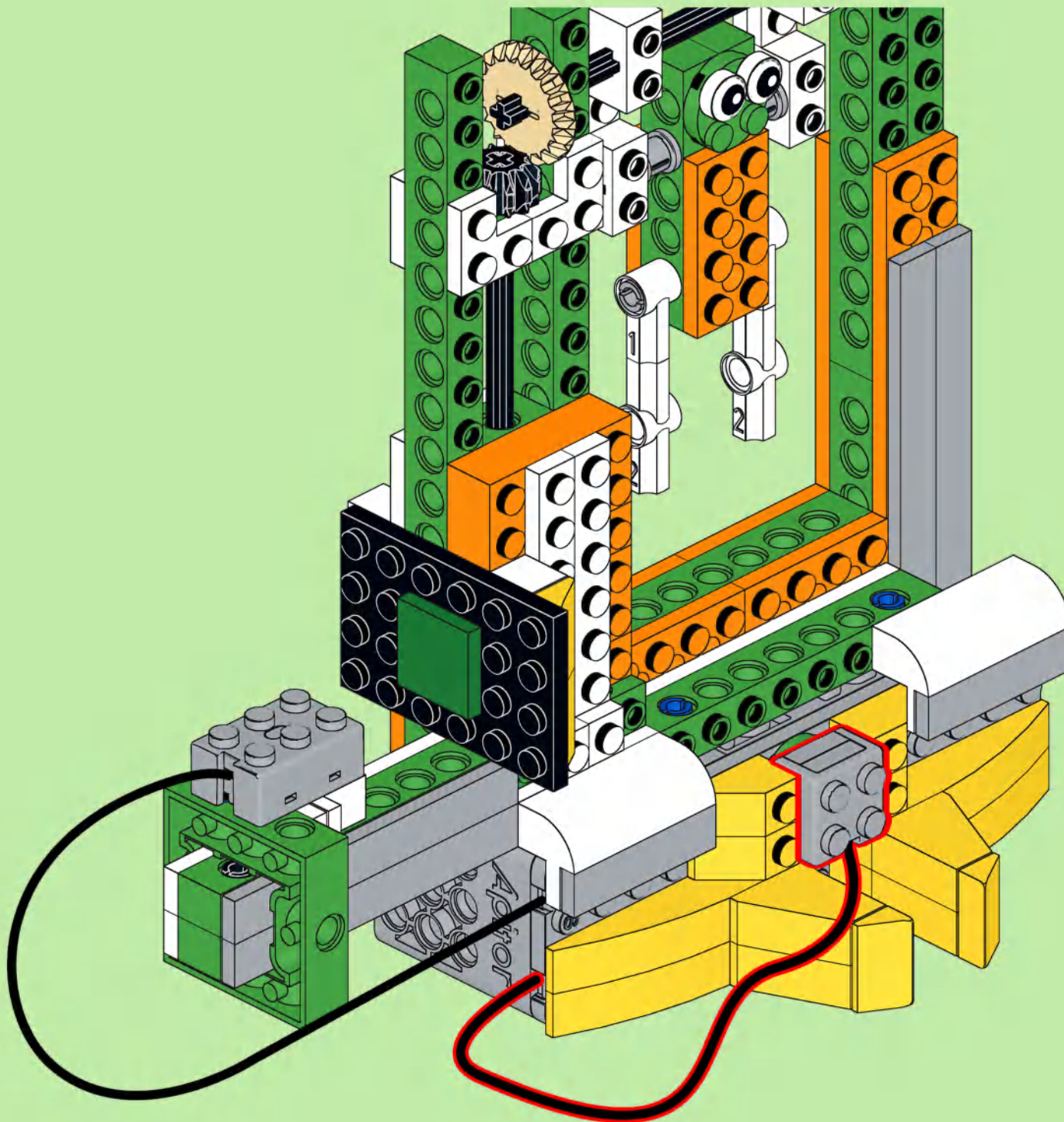




# 38

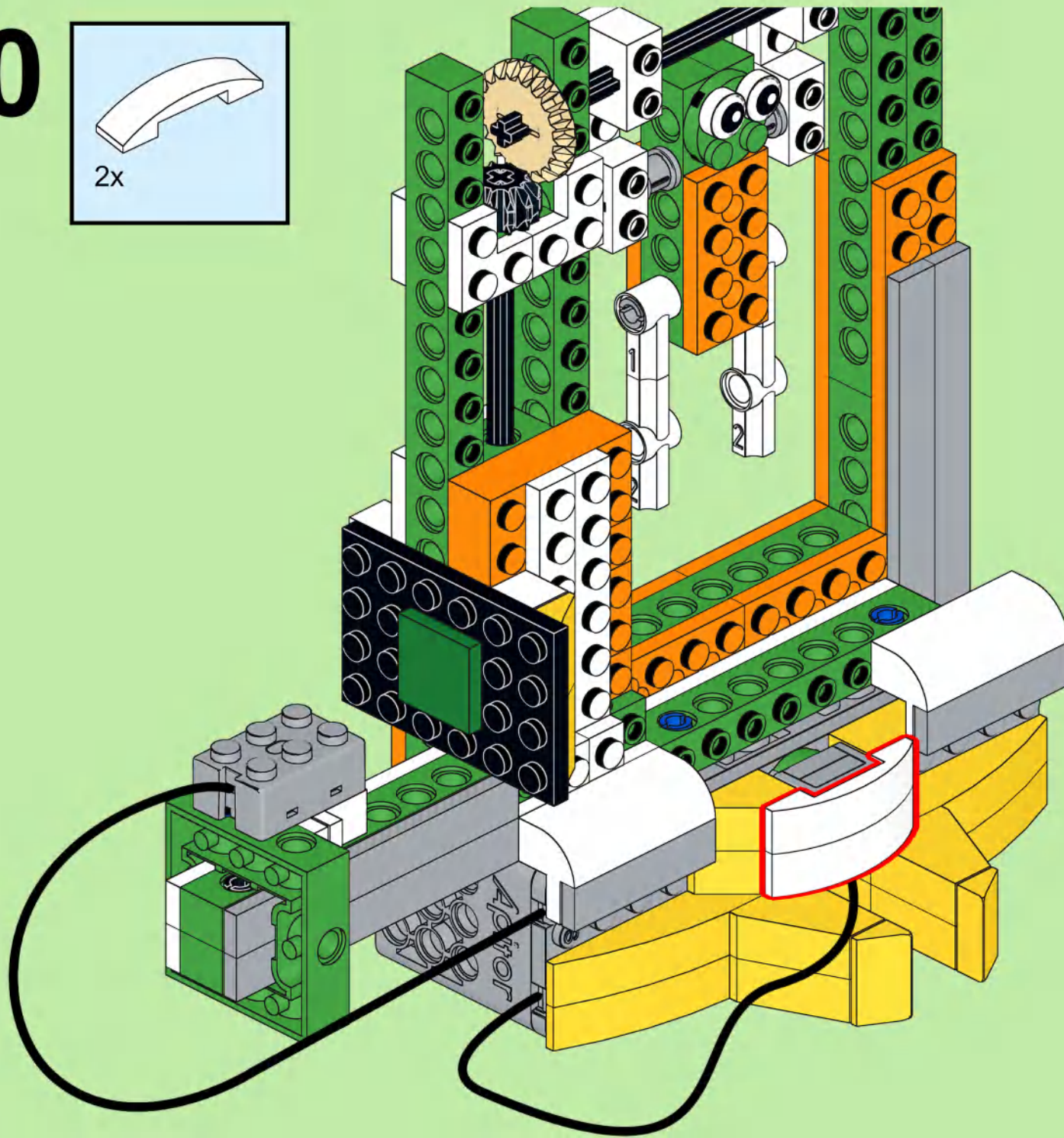
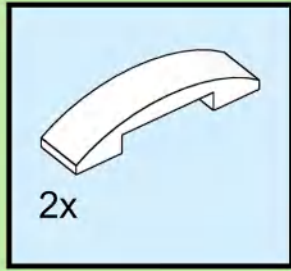


39





# 40



# 41

